

JUBI 12A DSP

12" Active Loudspeaker with Integrated DSP Processing

JUBI 15A DSP

15" Active Loudspeaker with Integrated DSP Processing

Features

- ▶ Remarkable sound, remarkable power, and remarkable style in a lightweight, durable enclosure
- ▶ Integrated digital signal processor offers main 3-band equalizer, 2-way crossover, full-range/subwoofer operating modes and 5 preset input modes
- ▶ 700 Watts of continuous power using Class AB and D technology
- ▶ 126 dB maximum sound pressure level
- ▶ 12" or 15" woofer matched with 1" titanium compression tweeter
- ▶ Flat frequency response between 53/56 Hz and 20 kHz
- ▶ 2 channel onboard mixer: both channels feature Combo (XLR/TRS) inputs, channel 2 also features 1/8" mini-stereo
- ▶ Send speaker's main signal off to additional speakers or amplifiers through a balanced XLR output connector
- ▶ 4th order phase-accurate Linkwitz-Riley crossover
- ▶ 35mm pole mount for extended audience reach
- ▶ Impact resistant polypropylene enclosure with internal bracings
- ▶ Tour grade steel grille (1.2 mm)



Overview

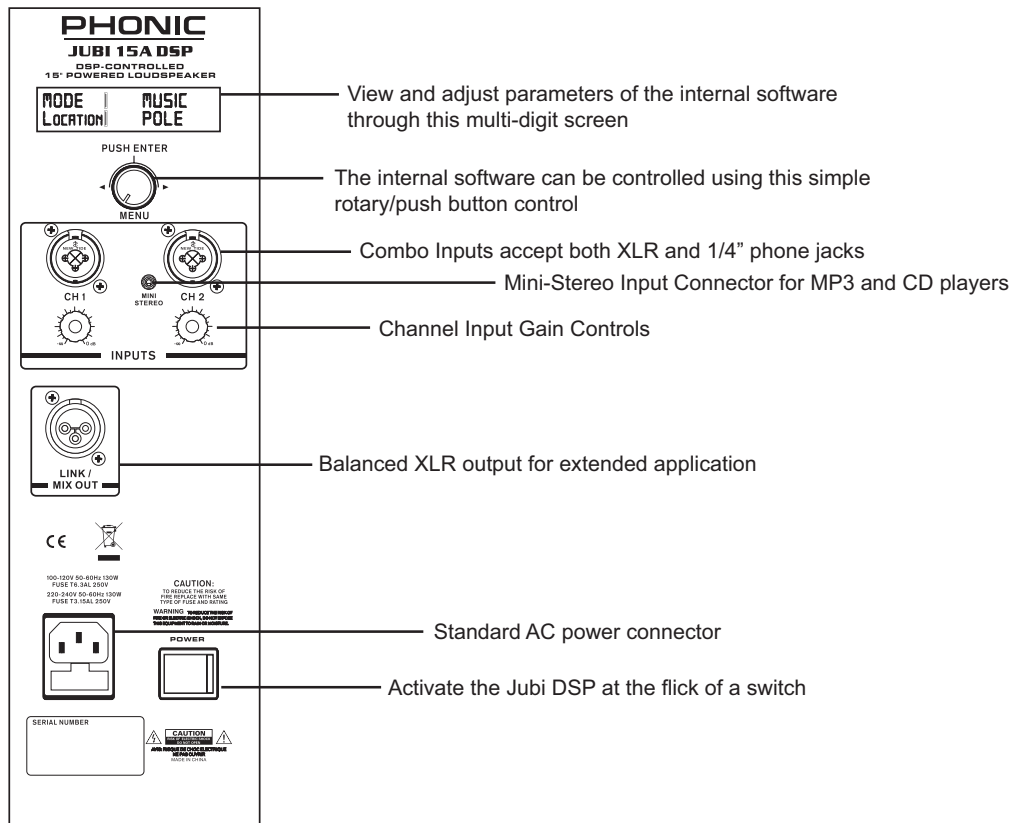
Phonic's Jubi 12A DSP and Jubi 15A DSP establish a new paradigm for molded powered speakers. Jubi DSP's 700 Watt (continuous) amplifier uses Class D technology to produce a shattering 126 dB maximum SPL, providing enough power for a wide range of venue types and sizes. A lightweight design and rugged pole mounts make the Jubi the most versatile, portable active loudspeaker today. Phonic engineers designed a high BL force factor woofer and a 1" titanium compression tweeter to achieve the Jubi's astonishingly wide sound stage and a vivid, transparent signature sound. A carefully crafted polymer enclosure with stunning vertical curvatures not only look great, but also improve acoustic accuracy by minimizing internal diffraction. Finally, reliability and durability were the paramount factor throughout the Jubi's development. With 700 Watts of ground shaking power, a 2-channel on-board mixer, custom engineered transducers, and incredible versatility, the Phonic Jubi 12A DSP and Jubi 15A DSP are loudspeakers to be reckoned with.

Extensive Signal Processing

Jubi 12A DSP and Jubi 15A DSP are both ingrained with a flexible DSP processor that provides a number of vital loudspeaker tools. Included are a 3-band EQ with bass, mid-range and treble options, as well as an adjustable crossover with integrated 'subwoofer mode'. Phonic engineers have also included a number of pre-programmed modes including Music, Live, Vocal, Speech and Club modes. This, along with user-assignable save slots, provide fantastic flexibility for all professional live setups.

MODE	SPEECH	LOCATION	MONITOR
	CLUB	TREBLE	0 dB
TREBLE	0 dB	BASS	0 dB
MID	0 dB	SUBW	ON
PRESET	USER6	SUBW	ON
LEVEL	IN 1 IN 2	LCD	■■■■■■

Rear Panel Features



Specifications

	Jubi 12A DSP	Jubi 15A DSP
Amp Type	Tweeter: Class AB / Woofer: Class D	Tweeter: Class AB / Woofer: Class D
Continuous Power	700 Watts	700 Watts
Peak Power	1400 Watts	1400 Watts
Minimum THD	0.01%	0.01%
Max SPL	126 dB	126 dB
Frequency Response	56 Hz - 20 kHz	53 Hz - 20 kHz
LF Size	12"	15"
LF-Magnet Material	Ferrite	Ferrite
LF-VC Diameter	2.6 inch	2.6 inch
HF-Diaphragm Size and Material	1" Titanium	1" Titanium
HF-Magnet Material	Ferrite	Ferrite
Horn Coverage Pattern (V x H)	60 x 100 degree	60 x 100 degree
Input Connectors	Combo (XLR & 1/4" TRS), Mini-Stereo	Combo (XLR & 1/4" TRS), Mini-Stereo
Output Connectors	XLR	XLR
Signal Processors	3-band EQ, operating mode, crossover	3-band EQ, operating mode, crossover
Crossover Type	Precisely tuned crossover	Precisely tuned crossover
LED Indicators	Power / Clip	Power / Clip
Enclosure Material	Polypropylene	Polypropylene
Grille Gauge	15mm Steel with Black Powder Coat	15mm Steel with Black Powder Coat
Handle Material / Positions	2 on sides	2 on sides
Monitor position	Yes - Two sides	Yes - Two sides
Suspension / Mounting	Stand mounting with 35mm pole socket	Stand mounting with 35mm pole socket
Dimensions (HxWxD)	559 x 370 x 277 mm (22" x 14.56" x 10.9")	680 x 410 x 330 mm (26.8" x 16.1" x 13")
Net Weight	14.5 kg (32 lbs)	20.2 kg (44.5 lbs)