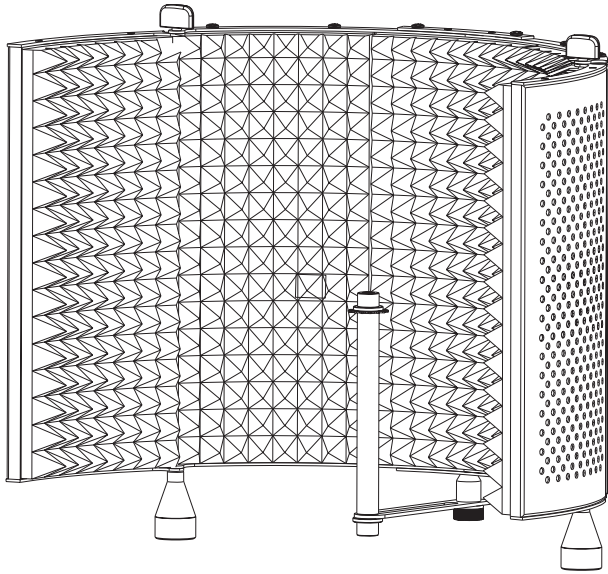
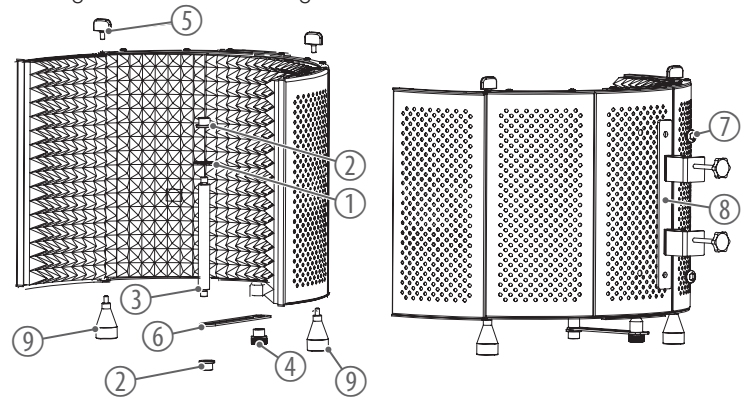


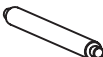










Micscreen XL




- Portable 5-segment absorber and diffuser for microphones
- Reduces the transmission of unwanted ambient interference such as reflections, background noises and microphone echoes
- Equally suitable for studios, live applications, and vocal and instrument recordings
- The segments of the screen can be opened and closed in different positions
- This allows the product to be adapted to the recording situation
- Can be mounted on any standard microphone stand or placed directly on a table top without a stand
- Dimensions (W × H) 160 mm to 800 mm × 320 mm (each segment is 160 mm wide)
- Weight 2.7 kg



①	②	③	④	⑤
				
Lock washer 5/8"	Adapter 3/8" to 5/8"	Pipe with 3/8" thread	Steel knob with 5/8" thread	Plastic knob M6
⑥	⑦	⑧	⑨	
				
Steel rail plate	Screw M8	Bracket	Stand	Allen key

 Discover the entire t.bone range on our website: tbone.audio

 Visit us on Instagram and discover the full audio experience: [tbone.audio/instagram](https://www.instagram.com/tbone.audio)

 Visit our YouTube channel for product videos and interesting stories: [tbone.audio/youtube](https://www.youtube.com/tbone.audio)

General information

This document contains important information. Read and follow the instructions. Keep the document for future reference. If you pass the product on to others, please include this document.

Contents are subject to change. Please refer to the latest version of the documentation, which is available for download at www.thomann.de.

Intended use

This product is used to optimise the acoustics of voice and vocal recordings. Any other use is considered to be improper and could result in personal injury or property damage. No liability will be assumed for damage resulting from improper use. This product may be used only by persons with sufficient physical, sensory, and intellectual abilities and with the relevant knowledge and experience. Other persons may use this device only if they are supervised or instructed by a person who is responsible for their safety.



Risk of injury and choking hazard for children!

Children can suffocate on packaging material and small parts. Children can injure themselves when handling the product. Never allow children to play with the packaging material and the product. Always store packaging material out of the reach of babies and small children. Always dispose of packaging material properly when it is not in use. Never allow children to use the product without supervision. Keep small parts away from children and make sure that the product does not shed any small parts that children could play with.



Potential property damage due to unsuitable stands!

If the product is mounted on an unsuitable stand, there is a risk that the stand will fall over and cause damage. Only use stands whose maximum load-bearing capacity is at least as high as the weight of the product. Always ensure that the stand is stable.



Disposal of the packing material

Environmentally friendly materials have been chosen for the packaging. These materials can be sent for normal recycling. Ensure that plastic bags, packaging, etc. are disposed of in the proper manner. Do not dispose of these materials with your normal household waste, but make sure that they are collected for recycling. Please follow the instructions and markings on the packaging.

Disposal of your old product

Do not dispose of your old product with your normal household waste; instead, deliver it for controlled disposal by an approved waste disposal firm or through your local waste facility.

Proper disposal protects the environment as well as the health of your fellow human beings. This is because the proper handling of old products negates the potential negative effects of hazardous substances, and because it conserves resources by recycling them.

Also note that waste avoidance is a valuable contribution to environmental protection. Repairing a device or passing it on to another user is an ecologically valuable alternative to disposal. You can use the Thomann GmbH classified ads, for example.



Observe the disposal note regarding documentation in France.