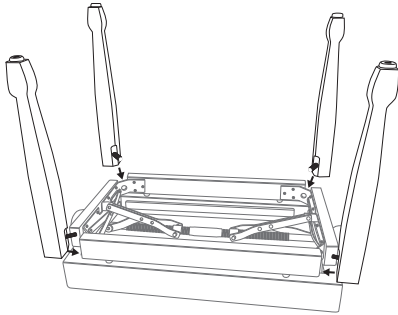
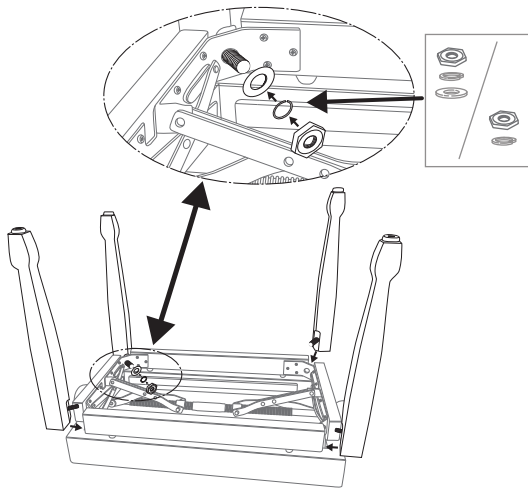


Mounting

1

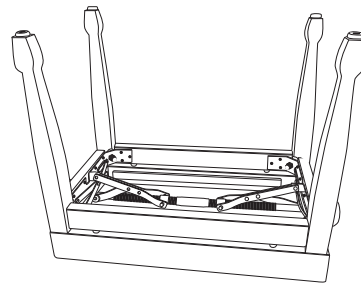


2



- Piano bench
- Double cross precision lifting system
- Seat cushion:
 - High-quality black PU artificial leather
 - With a high organic fibre content
- Seating area (W × D): 600 mm × 380 mm
- Weight: 9.5 kg

3



Tighten the nuts slightly at first. Place the bench on the floor in the desired position so that it is stable. Only then tighten the nuts using the wrench provided. This will ensure good stability.

General information

This document contains important information. Read and follow the instructions. Keep the document for future reference. If you pass the product on to others, please include this document. Contents are subject to change. Please refer to the latest version of the documentation, which is available for download at www.thomann.de.

Intended use

This product serves as seating. Any other use or use under other operating conditions is considered to be improper and may result in personal injury or property damage. No liability will be assumed for damage resulting from improper use. This product may be used only by persons with sufficient physical, sensory, and intellectual abilities and with the relevant knowledge and experience. Other persons may use this device only if they are supervised or instructed by a person who is responsible for their safety.

**Risk of injury and choking hazard for children!**

Children can suffocate on packaging material and small parts. Children can injure themselves when handling the product. Never allow children to play with the packaging material and the product. Always store packaging material out of the reach of babies and small children. Always dispose of packaging material properly when it is not in use. Never allow children to use the product without supervision. Keep small parts away from children and make sure that the product does not shed any small parts that children could play with.

**Disposal of the packing material**

Environmentally friendly materials have been chosen for the packaging. These materials can be sent for normal recycling. Ensure that plastic bags, packaging, etc. are disposed of in the proper manner. Do not dispose of these materials with your normal household waste, but make sure that they are collected for recycling. Please follow the instructions and markings on the packaging.

**Risk of injury due to the product tipping over from excessive loading!**

In case of excessive loading, the product can tip over and cause injury and property damage. Never exceed the specified maximum load for the product.

**Risk of injury due to tipping of the product on unsuitable ground!**

If the product is set up on soft or uneven ground, the product can tip over and cause injuries and property damage. Always set up the product on firm and level ground.

**Risk of injury when folding the product!**

During folding of the product, there is a risk that fingers or other body parts are pinched or crushed by moving parts. For this reason, fold the product carefully and grip it only on the outside of the feet. Make sure to keep away from the movement range of the moving parts.

**Possible staining due to plasticiser in rubber feet!**

The plasticiser in the rubber feet of this product may react with the coating of the floor, resulting in permanent dark stains after a while. If necessary, use a suitable mat or felt pads to prevent direct contact between the product's rubber feet and the floor.

Disposal of your old product

Do not dispose of your old product with your normal household waste; instead, deliver it for controlled disposal by an approved waste disposal firm or through your local waste facility.

Proper disposal protects the environment as well as the health of your fellow human beings. This is because the proper handling of old products negates the potential negative effects of hazardous substances, and because it conserves resources by recycling them.

Also note that waste avoidance is a valuable contribution to environmental protection. Repairing a device or passing it on to another user is an ecologically valuable alternative to disposal. You can use the Thomann GmbH classified ads, for example.



Observe the disposal note regarding documentation in France.