



## E205UMKII USB CONDENSER MICROPHONE

### Description

E205UMKII is the upgraded version of USB condenser microphone E205U, which is specialized in delivering high resolution audio and flat and wide frequency response. E205UMKII can be compatible with Windows and Mac OS system. E205UMKII is very suitable for Podcasting and personal recording.

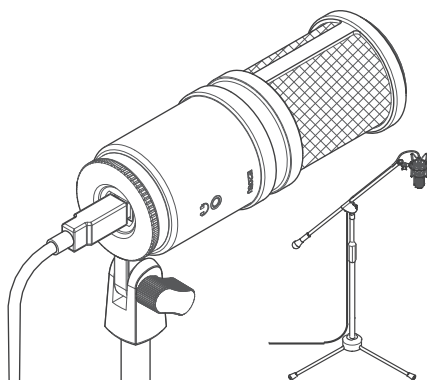
The equipped headphone socket and the headphone volume gain control make real-time monitoring easier and better!

### Features

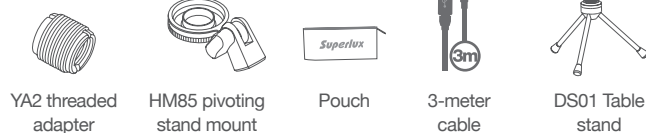
- Delivering the high resolution audio with up to 24 bit/ 96k Hz sampling rate
- Smooth and flat frequency response perfect for podcasting and home studio recording
- Compatible with Windows and Mac OS system
- Equipped with headphone output jack and gain control for easy and perfect real-time monitoring

\* USE ON THE TABLE  
E205UMKII can be put on the table for recording.

\* USE ON THE STAND  
By using the microphone stand, the E205UMKII can be mounted for recording.



### Included



YA2 threaded adapter

HM85 pivoting stand mount

Pouch

3-meter cable

DS01 Table stand

### Specifications

Type	Back Electret Condenser
Polar Pattern	Supercardioid
Frequency Response	20-20,000 Hz
Sensitivity (at 1,000 Hz Open Circuit Voltage)	-35dBV / Pa ( 12.6 mV )
Max. SPL	>135 dB SPL
Power Requirements	USB 5V
Resolution	Up to 24 bit / 96k Hz sampling rate
Finish	Black, White, Rose gold
Connectors	USB B-TYPE, 1/8" ( 3.5mm ) phone connector
Dimensions	Ø54 × 150 mm ( Ø2.13" × 5.9" )
Net Weight	422g ( 14.9 oz )

### E205UMKII Frequency Response ( Supercardioid )

