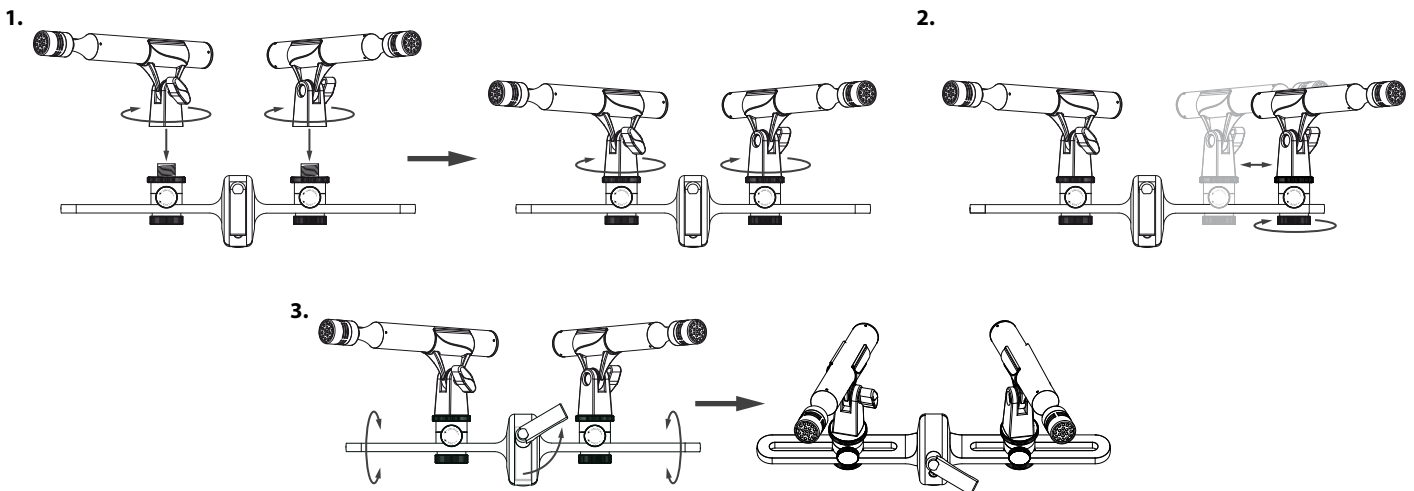


- ① Slidable holder
- ② Safety screw to fix the slidable holder
- ③ Safety screw to fix the angle
- ④ Counter nut
- ⑤ 5/8" thread for mounting a microphone
- ⑥ Stand clamp
- ⑦ Clamping lever for stand clamp
- ⑧ 5/8" thread for mounting on a stand
- ⑨ Stereo bar

- High-quality stereo bar for microphones
- 2 x slidable holder with 5/8" thread
- 2 x appropriate 5/8" adapter for the slidable holder
- Screwable on stands with 5/8" thread
- Precise angle and distance marks for positioning the microphones according to ORTF, XY or AB
- Dimensions StereoBar 1 Pro (W x H x D): 700 mm x 90 mm x 55 mm
- Positioning range StereoBar 1 Pro: 84 mm to 640 mm
- Weight StereoBar 1 Pro: 670 g
- Dimensions StereoBar 2 Pro (W x H x D): 324 mm x 90 mm x 55 mm
- Positioning range StereoBar 2 Pro: 84 mm to 280 mm
- Weight StereoBar 2 Pro: 843 g
- Material: aluminium, stainless steel
- Colour: black



Ensure that plastic bags, packaging, etc. are properly disposed of and are not in the reach of babies and young children. Choking hazard!



For the packaging, environmentally friendly materials have been chosen that can be supplied to normal recycling. Ensure that plastic bags, packaging, etc. are properly disposed of. Do not just dispose these materials with your normal household waste, but make sure that they are fed to a recovery. Please follow the notes and markings on the packaging.