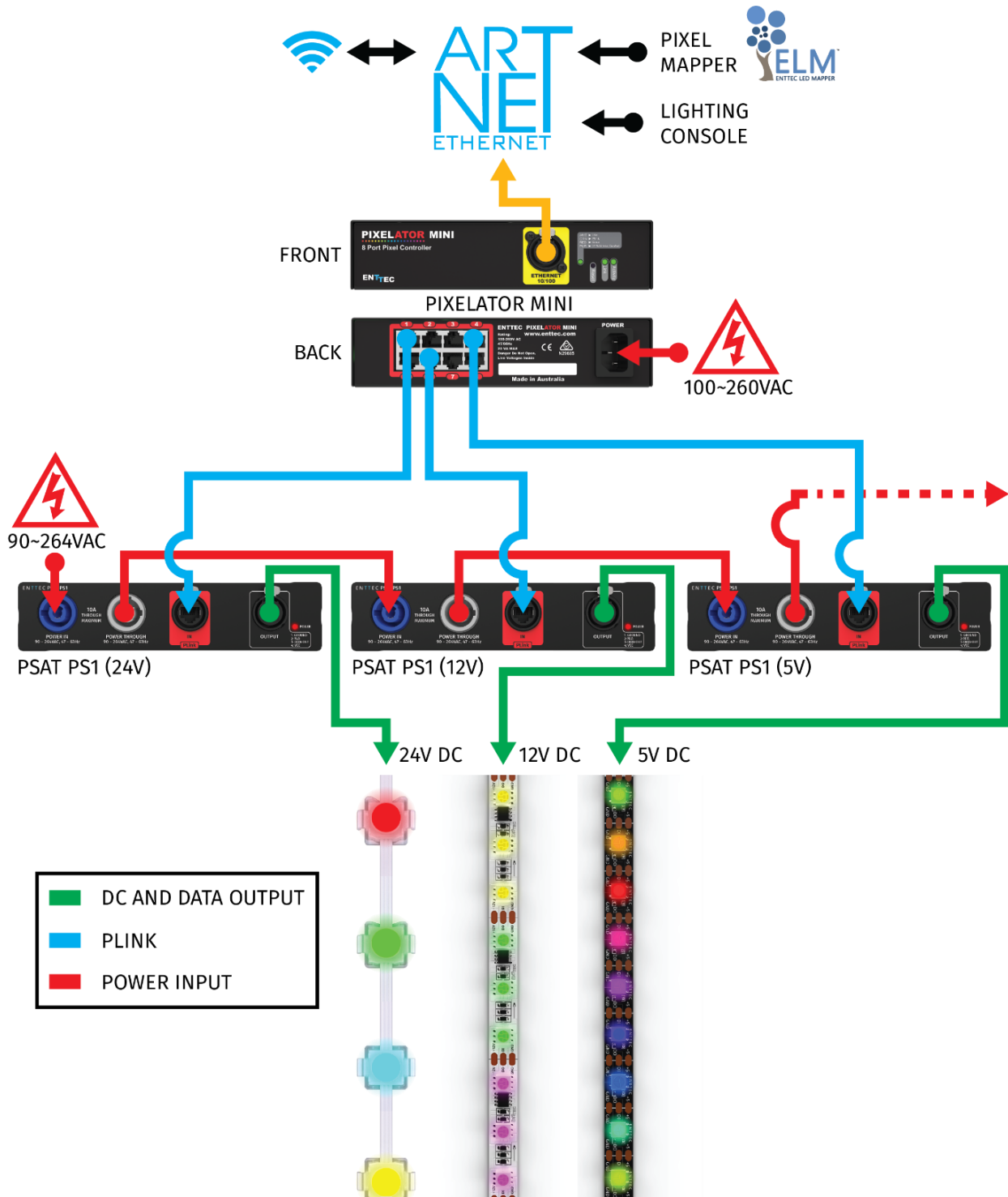


## PSAT Installation Sheet



- Please make sure the **Voltage** of the Pixel Tape or Dots match the **Voltage** of the PSAT, before connecting it to the PSAT.
- **PLINK Input** should be connected to a compatible Pixel Controller only (Pixelator, Pixelator Mini or Pixie Driver) using a cat5 / cat6 cable. Cat6 cable is recommended for longer distances.
- It's recommended to use the **Pixel Output connector** provided. It allows easy connection to ENTTEC Pixel Tape or Pixel dots
- Please refer to the Wiring diagram for more details

## Wiring Diagram



## Tips and Tricks

Pixel Tape/Dots should be connected to the output using the connector provided



### Choosing a PSAT

When choosing a PSAT consider the following:

- What is the voltage of the LED tape/Dots used?
- What is the power requirement of the display?

The maximum power limit and the output voltage for the PSAT is provided in the table below:

Product Part No.	Maximum Power/W	Output Voltage/V	Maximum Current/A
<b>75008-16</b>	65	12	2.5
<b>75008-26</b>	65	24	5
<b>75008-55</b>	55	5	10

Please make sure the Voltage of the Pixel Tape or Dots match the Voltage of the PSAT, before connecting it to the PSAT.

### Can I run tapes and dots at the same time?

No, only one LED protocol can be selected to drive the output at a given time.

### What is the maximum length I can extend my Data?

Data extensions up to **300 meters over Cat6** cable only; if using Cat5 cable, this distance will be reduced.

### What Pixel product can I use with my PSAT?

PSAT is compatible with ENTTEC **Pixelator**, **Pixie Driver** and **Pixelator Mini**.

- The Plink Data is generated from the Pixelator, Pixie Driver or Pixelator Mini. It cannot be changed by the PSAT
- To make any changes to the Data, please change settings on Pixelator, Pixie Driver or Pixelator Mini

# enttec.com

MELBOURNE AUS / LONDON UK / HILLSBOROUGH NC, USA