

## Clip-On Microphone GigA Pro Wind Mic

Read and follow the safety instructions and all other instructions. Keep the manual for future reference. If you pass the product to another person, please pass the user manual with it.

### Safety instructions

#### Intended use

This device is intended to be used for the wireless transmission of audio signals from instruments to mixers, amplifiers or active speakers. Any other use or use under other operating conditions is considered to be improper and may result in personal injury or property damage. No liability will be assumed for damages resulting from improper use.

#### Danger for children



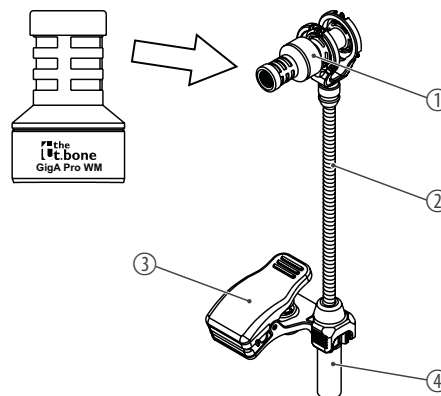
Ensure that plastic bags, packaging, etc. are properly disposed of and are not in the reach of babies and young children. Choking hazard! Ensure that children do not detach any small parts (e.g. knobs or the like) from the product. They could swallow the pieces and choke! Never let children play unattended with the electrical devices.

### Features

- Gooseneck microphone to clip on music instruments
- For the use with t.bone GigA Pro GT (453986, not included)
- Extension of an already existing GigA Pro system
- Condenser capsule (10 mm)

### Connections and operating elements

- ① Condenser capsule with detachable head grill
- ② Flexible gooseneck
- ③ Clip for fixing the microphone to the instrument
- ④ 3.5 mm mini jack plug with thread for connecting the microphone to the transmitter



### Technical specifications

- Polar pattern: Cardioid
- Output connections: 3.5 mm mini jack plug with thread
- Frequency range: 65 Hz ... 20 kHz
- Sound pressure level (SPL): 142 dB
- Sensitivity: -52 dB
- Dimensions (W × H): 10 mm × 197 mm
- Weight: 57 g (incl. capsule, clip and gooseneck)
- Colour: black
- Environmental conditions:  
Temperature range: 0 °C ... 40 °C  
Relative humidity: 50 %, non-condensing



For the packaging, environmentally friendly materials have been chosen that can be supplied to normal recycling. Ensure that plastic bags, packaging, etc. are properly disposed of. Do not just dispose of these materials with your normal household waste, but make sure that they are collected for recycling. Please follow the notes and markings on the packaging.



This product is subject to the European Waste Electrical and Electronic Equipment Directive (WEEE) in its currently valid version. Do not dispose with your normal household waste. Dispose of this device through an approved waste disposal firm or through your local waste facility. When discarding the device, comply with the rules and regulations that apply in your country. If in doubt, consult your local waste disposal facility.