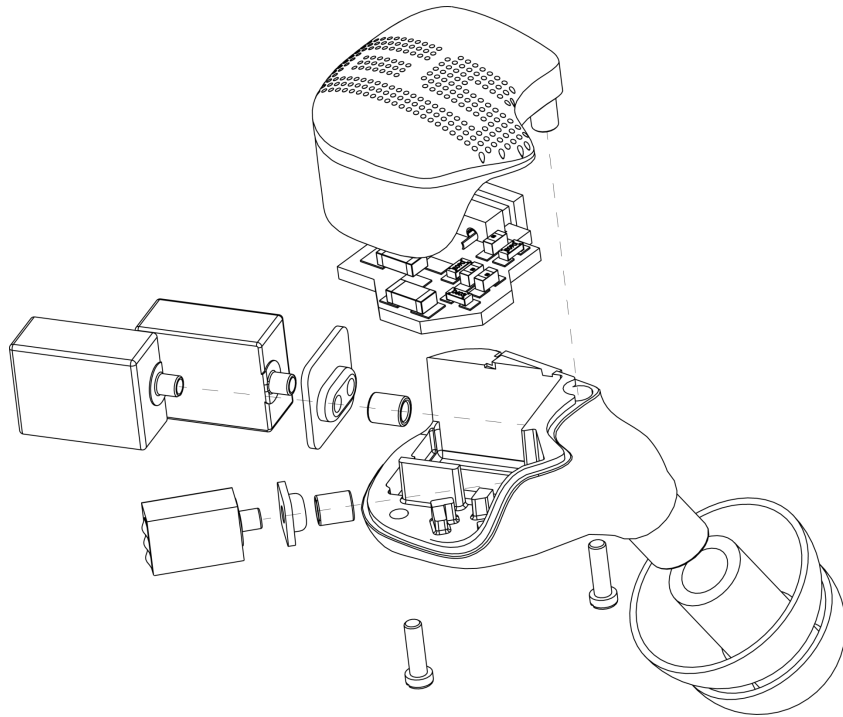


ES ES-PRO





DESIGN

Fitted with flexible rooms, the shell of our ES range makes possible the adaptation of the electronics depending on the audio signature and architecture chosen.

In contrast with traditional in-ears, the cannulas have been shortened and have their own diffractive acoustic chamber for a better sound intelligibility and a wider soundstage.

PROPRIETARY DRIVERS

To respond to the demanding specifications, we use proprietary drivers. With this involvement in all the drivers' development and manufacturing stages, we control the quality of our electronics, targeting the best audio quality.

1XLOW



1XMID



1XHIGH





SPECIFICATIONS

TECHNICAL SPECIFICATIONS

Sensitivity: 116 dB/mW

Freq. Response: 10 Hz -20 kHz

Impedance: 31,5 ohms

Transducer: 3 Transducers

Crossover: 3-way passive crossover

IN THE BOX

Detachable Premium Cable

Protective Case

4 Silicone Eartips (2 sizes), 2 Foam Eartips (2 sizes)

Product Manual

Cleaning Tool