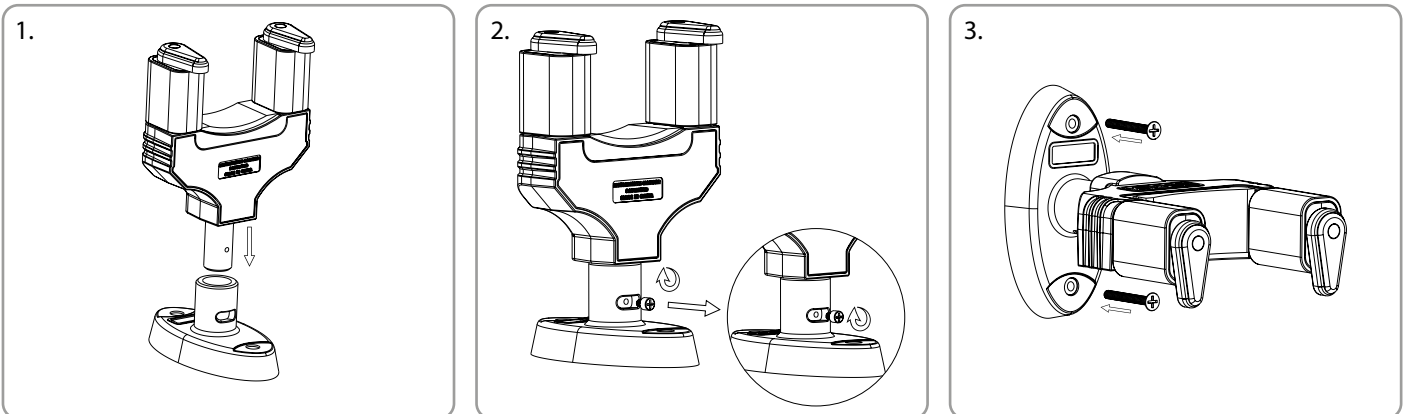


- Universal wall mount for electric guitars, acoustic guitars and basses
- Also suitable for banjos, mandolins and ukuleles
- With moving clip system whose brackets engage the guitar neck under load and open when the load is released
- Rubber padding for instrument protection
- Material: Nylon
- Dimensions (W × H × D): 153 mm × 101 mm × 103 mm
- Weight: 154 g
- Screws and dowels for wall mounting, not included in the scope of delivery

Not suitable for instruments with nitro lacquer!

Assembly



General information

This document contains important information. Read and follow the instructions. Keep the document for future reference. If you pass the product on to others, please include this document.

Contents are subject to change. Please refer to the latest version of the documentation, which is available for download at www.thomann.de.

Intended use

This device serves as a holder for guitars and basses. Any other use or use under other operating conditions is considered to be improper and may result in personal injury or property damage. No liability will be assumed for damage resulting from improper use. This product may be used only by persons with sufficient physical, sensory, and intellectual abilities and with the relevant knowledge and experience. Other persons may use this device only if they are supervised or instructed by a person who is responsible for their safety.



Risk of injury and choking hazard for children!

Children can suffocate on packaging material and small parts. Children can injure themselves when handling the product. Never allow children to play with the packaging material and the product. Always store packaging material out of the reach of babies and small children. Always dispose of packaging material properly when it is not in use. Never allow children to use the product without supervision. Keep small parts away from children and make sure that the product does not shed any small parts that children could play with.



Risk of cuts to the hands from sharp edges during assembly!

Tools, screws and components can have sharp edges that can cause cuts during assembly. Pay attention to sharp edges when assembling and screwing the individual parts. Wear protective gloves if necessary.



Possible damage to instruments with nitro lacquers!

Surfaces treated with nitro lacquers can react with the product. Discolouration and paint damage can occur. Make sure that the instruments you want to use with the product are free from nitro lacquers. Do not use instruments treated with nitro lacquers in combination with the product.



Environmentally friendly materials have been chosen for the packaging. These materials can be sent for normal recycling. Ensure that plastic bags, packaging, etc. are disposed of in the proper manner. Do not dispose of these materials with your normal household waste, but make sure that they are collected for recycling. Please follow the instructions and markings on the packaging.



Observe the disposal note regarding documentation in France.