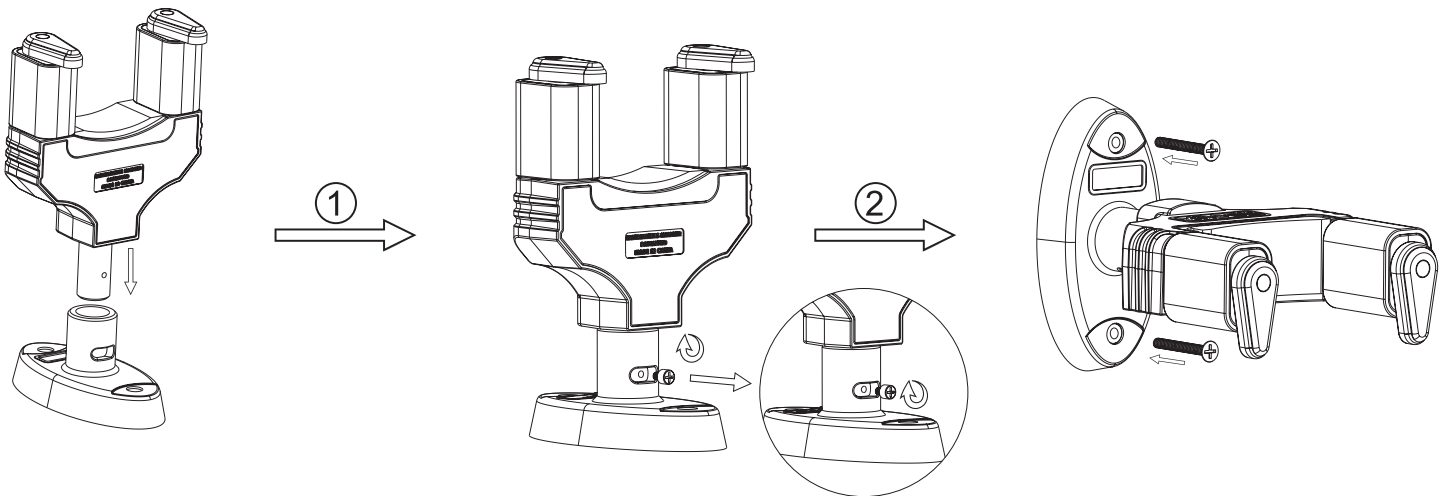


- ✓ Universal wall mount for electric guitars, acoustic guitars and basses
- ✓ With a movable suspension system, which clamps the neck of the guitar under load and opens when unloaded
- ✓ Instrument-friendly rubber padding
- ✓ **Not suitable for instruments with nitro lacquer**
- ✓ Also suitable for banjos, mandolins and ukuleles
- ✓ Screws and dowels for wall mounting not included



This device is intended to be used as a wall mount holder für guitars and basses. Any other use or use under other operating conditions is considered to be improper and may result in personal injury or property damage. No liability will be assumed for damages resulting from improper use.



Ensure that plastic bags, packaging, etc. are properly disposed of and are not in the reach of babies and young children. Choking hazard! Ensure that children do not detach any small parts (e.g. knobs or the like) from the product. They could swallow the pieces and choke! Never let children use electrical devices unattended.

! We tested the holder with different guitars and finishes, and no problems occurred. Nevertheless, we advise caution when using vintage instruments and nitrocellulose finishes. Perspiration, environmental influences, nitrocellulose and age can cause chemical reactions which are not predictable or can be tested. Thus, we accept no liability for damages of surfaces which are due to such circumstances.



For the transport and protective packaging, environmentally friendly materials have been chosen that can be supplied to normal recycling. Ensure that plastic bags, packaging, etc. are properly disposed of. Do not just dispose of these materials with your normal household waste, but make sure that they are collected for recycling. Please follow the notes and markings on the packaging.