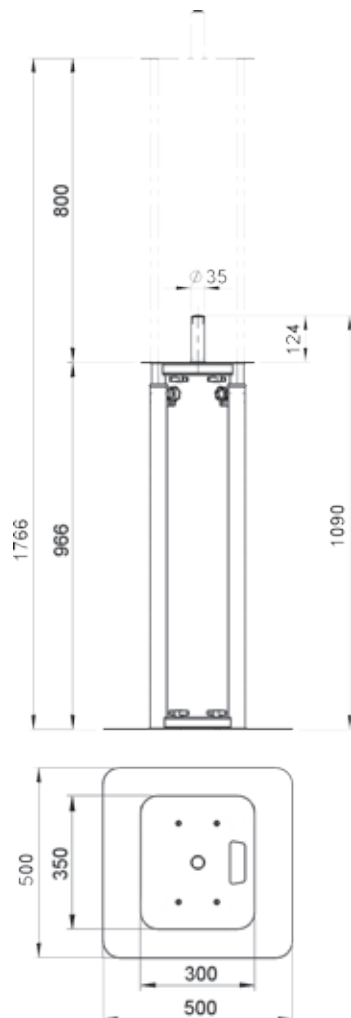




## Features:

- ✓ Height adjustable stand for Moving Heads or similar
- ✓ Height is adjustable from 96 cm to 176 cm
- ✓ Snap-in points every 10 cm
- ✓ Incl. white, translucent trusscover
- ✓ Incl. transport bags
- ✓ Max. load capacity: 60 kg
- ✓ Speaker Adapter: 35 mm
- ✓ Dimension of carrier plate: 30 × 35 cm
- ✓ Dimension base plate: 50 × 50 cm
- ✓ Metal parts colour: Black
- ✓ Material: Steel
- ✓ Total weight: approx. 18 kg



This device serves as a stand for suitable devices such as moving heads or the like. Any other use or use under other operating conditions is considered to be improper and may result in personal injury or property damage. No liability will be assumed for damages resulting from improper use.

 Ensure that plastic bags, packaging, etc. are properly disposed of and are not in the reach of babies and young children. Choking hazard! Ensure that children do not detach any small parts (e.g. knobs or the like) from the product. They could swallow the pieces and choke! Never let children use electrical devices unattended.

 For the transport and protective packaging, environmentally friendly materials have been chosen that can be supplied to normal recycling. Ensure that plastic bags, packaging, etc. are properly disposed of. Do not just dispose of these materials with your normal household waste, but make sure that they are collected for recycling. Please follow the notes and markings on the packaging.