

NuQ

NuQ152-FY

Flying Yoke for NuQ152 Loudspeakers



- Steel flying yoke for NuQ152 loudspeakers
- Allows horizontal and vertical rotation of loudspeakers for optimum audience coverage
- Hard wearing semi matt black powder coat finish
- 3-Year Warranty Program*
- Designed and engineered in England

The NuQ152-FY is a matt black, powder coated flying yoke specifically designed to hang the NuQ152 in standalone applications, such as ceiling mounting in bars or clubs, or as an under-balcony fill. The NuQ152-FY consists of: a fly yoke; a pair of side plates, which attach to the sides of the loudspeaker; and a pair of plastic handle screws that secure the fly yoke to the side plates. Once the enclosure has been adjusted for the desired coverage, the handle screws are tightened to maintain that angle.

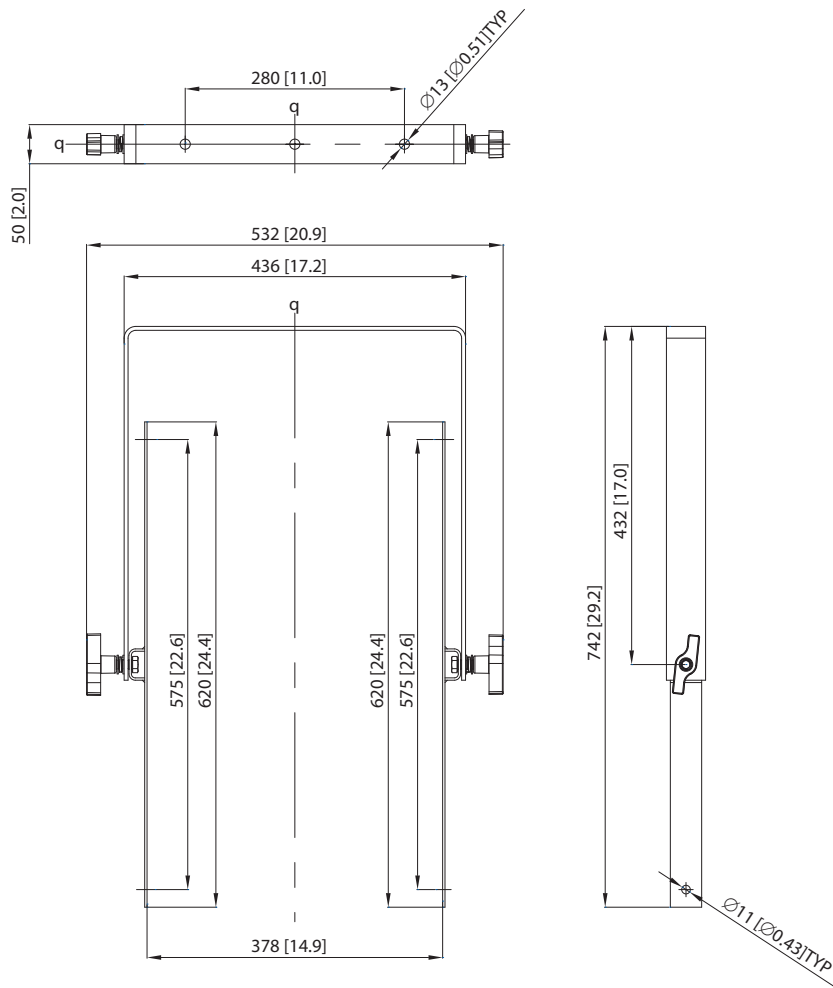


NuQ

NuQ152-FY

Flying Yoke for NuQ152 Loudspeakers

Dimensions

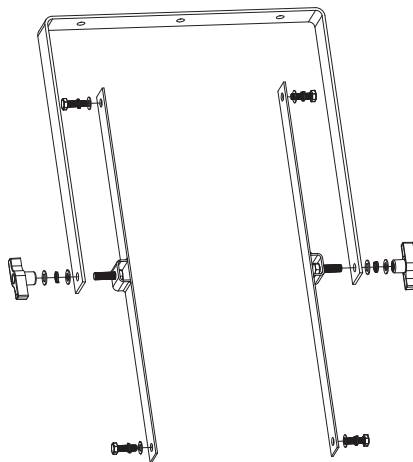


NuQ

NuQ152-FY

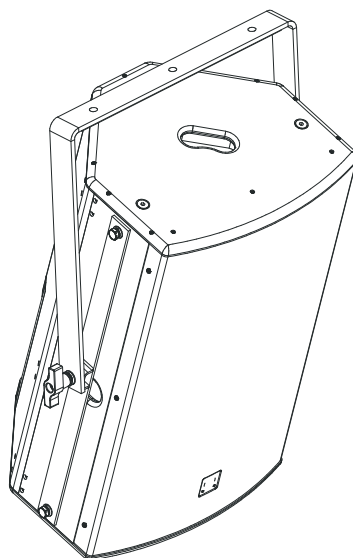
Flying Yoke for NuQ152 Loudspeakers

Contents:



Mounting and Rigging Examples

The NuQ152-FY fly yoke allows the [NuQ152](#) cabinet to be surface and scaffold mounted, and angled for optimum positioning and coverage.



NuQ

NuQ152-FY

Flying Yoke for NuQ152 Loudspeakers



NuQ

NuQ152-FY

Flying Yoke for NuQ152 Loudspeakers



NuQ

NuQ152-FY

Flying Yoke for NuQ152 Loudspeakers



For service, support or more information contact the TURBOSOUND location nearest you:

Europe
MUSIC Group Services UK
Tel: +44 156 273 2290
Email: CARE@music-group.com

USA/Canada
MUSIC Group Services NV Inc.
Tel: +1 702 800 8290
Email: CARE@music-group.com

Japan
MUSIC Group Services JP K.K.
Tel: +81 3 6231 0454
Email: CARE@music-group.com

MUSIC Group accepts no liability for any loss which may be suffered by any person who relies either wholly or in part upon any description, photograph, or statement contained herein. Technical specifications, appearances and other information are subject to change without notice. All trademarks are the property of their respective owners. MIDAS, KLARK TEKNIK, TURBOSOUND, BEHRINGER, BUGERA and DDA are trademarks or registered trademarks of MUSIC Group IP Ltd. © MUSIC Group IP Ltd. 2015 All rights reserved.