

Loudspeaker Accessories

NuQ

NuQ102-EB

Extension Bracket for NuQ102 Loudspeakers



- Steel extension bracket for NuQ102 loudspeakers
- Extends NuQ102 forward for optimal audience coverage
- Hard wearing semi matt black powder coat finish
- 3-Year Warranty Program*
- Designed and engineered in England

The NuQ102-EB is a matt black, powder coated extension bracket specifically designed to hang two NuQ102 loudspeakers from a single NuQ102-SB in standalone applications, such as ceiling mounting in bars or clubs, or as an under-balcony fill. The NuQ102-EB consists of a pair of extension brackets which allow a NuQ102-SB swivel bracket to mount two NuQ102 loudspeakers. Once the enclosures have been adjusted for the desired coverage, the screws are tightened to maintain that angle.



You Are Covered

We always strive to provide the best possible Customer Experience. Our products are made in our own MUSIC Group factory using state-of-the-art automation, enhanced production workflows and quality assurance labs with the most sophisticated test equipment available in the world. As a result, we have one of the lowest product failure rates in the industry, and we confidently back it up with a generous 3-Year Warranty program.



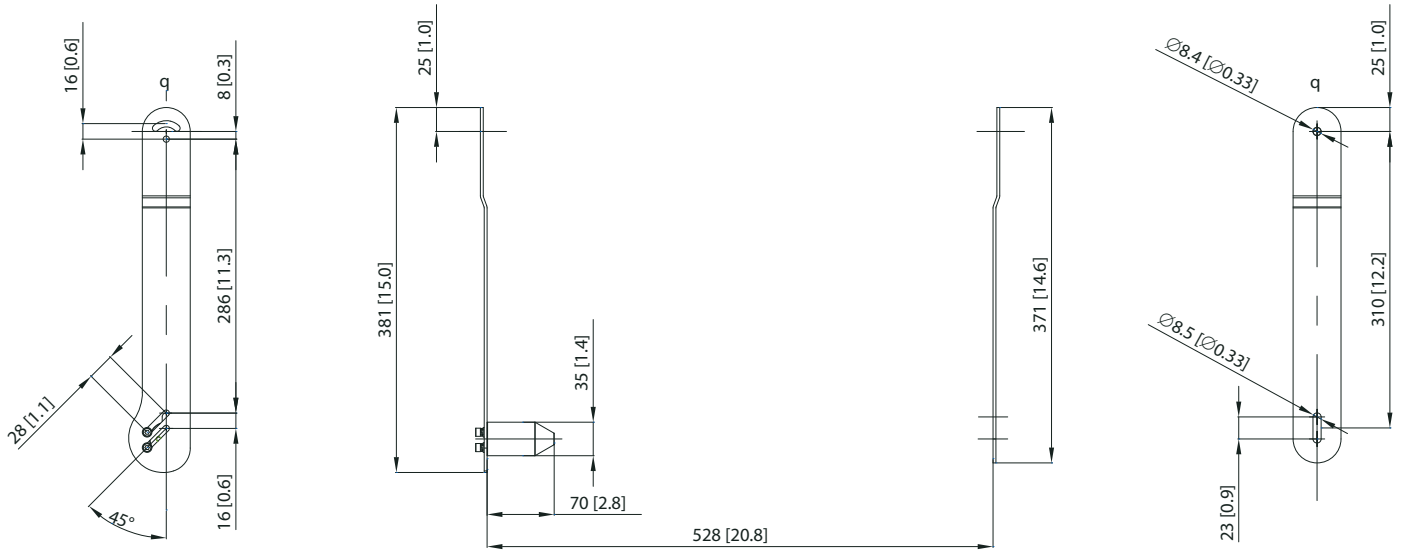
*Warranty details can be found at music-group.com.

NuQ

NuQ102-EB

Extension Bracket for NuQ102 Loudspeakers

Dimensions



NuQ

NuQ102-EB

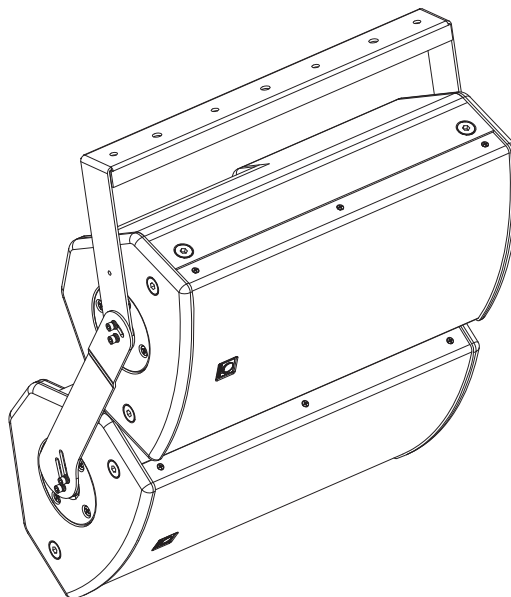
Extension Bracket for NuQ102 Loudspeakers

Contents:



Mounting and Rigging Examples

The NuQ102-EB extender bracket kit, combined with a [NuQ102-SB](#) swivel bracket, allows two [NuQ102](#) cabinets to be arrayed together, surface and scaffold mounted, and angled for optimum positioning and coverage.



NuQ

NuQ102-EB

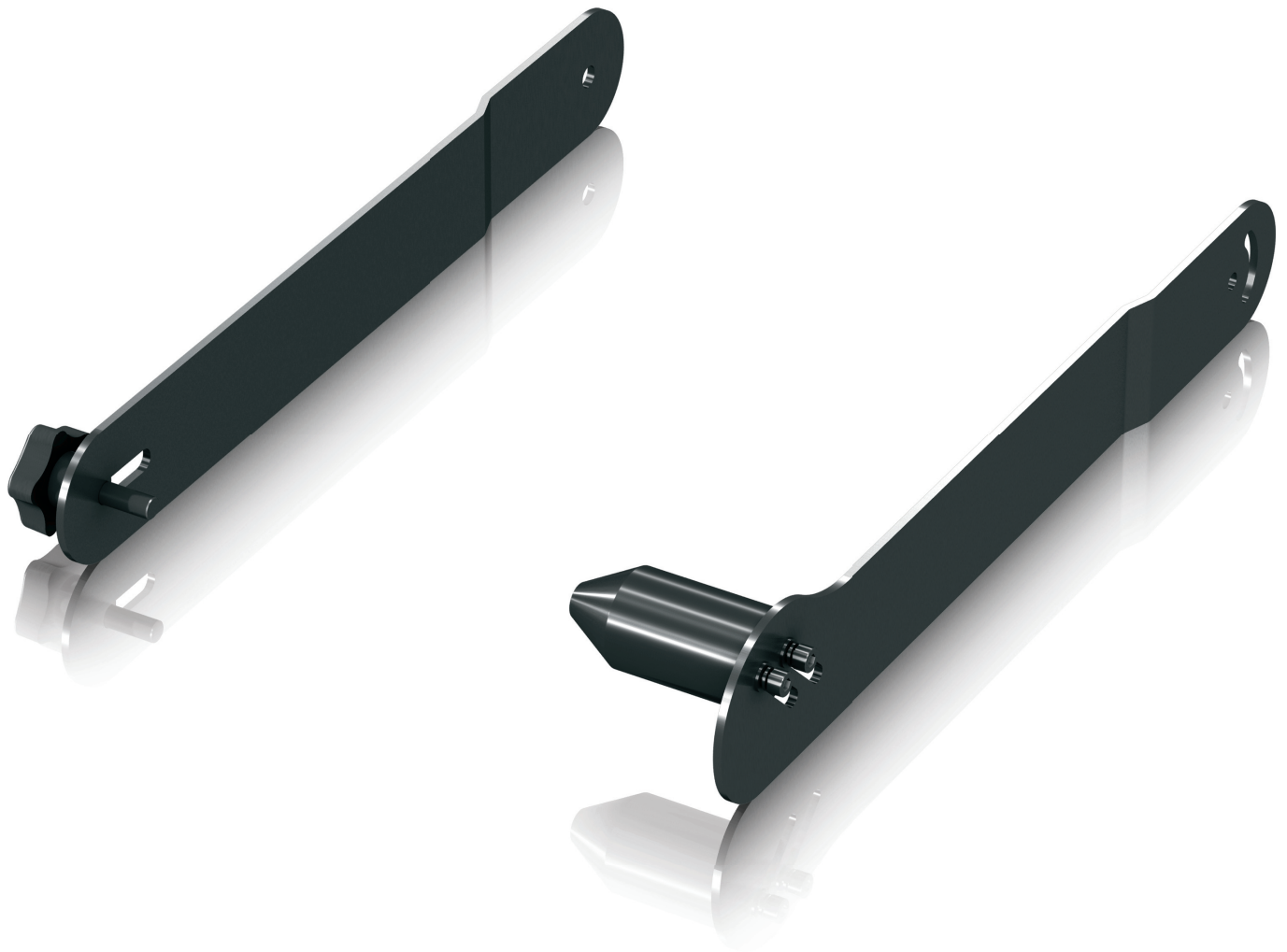
Extension Bracket for NuQ102 Loudspeakers



NuQ

NuQ102-EB

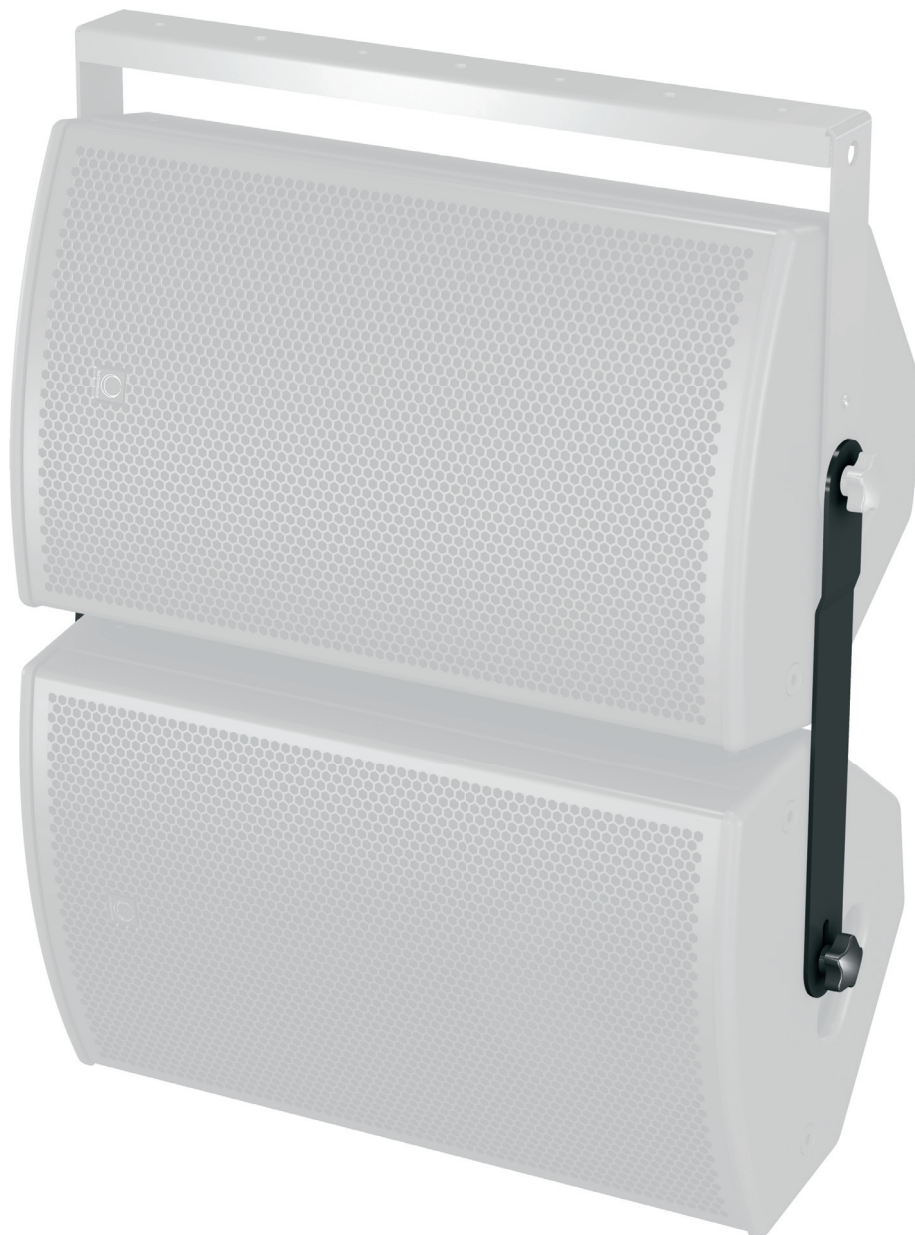
Extension Bracket for NuQ102 Loudspeakers



NuQ

NuQ102-EB

Extension Bracket for NuQ102 Loudspeakers



For service, support or more information contact the TURBOSOUND location nearest you:

Europe
MUSIC Group Services UK
Tel: +44 156 273 2290
Email: CARE@music-group.com

USA/Canada
MUSIC Group Services NV Inc.
Tel: +1 702 800 8290
Email: CARE@music-group.com

Japan
MUSIC Group Services JP K.K.
Tel: +81 3 6231 0454
Email: CARE@music-group.com

MUSIC Group accepts no liability for any loss which may be suffered by any person who relies either wholly or in part upon any description, photograph, or statement contained herein. Technical specifications, appearances and other information are subject to change without notice. All trademarks are the property of their respective owners. MIDAS, KLARK TEKNIK, LAB GRUPPEN, LAKE, TANNÖY, TURBOSOUND, TC ELECTRONIC, TC HELICON, BEHRINGER, BUGERA and DDA are trademarks or registered trademarks of MUSIC Group IP Ltd.
© MUSIC Group IP Ltd. 2016 All rights reserved.