

NuQ82-FY

Flying Yoke for NuQ82 Loudspeakers



- Steel flying yoke for NuQ82 loudspeakers
- Allows horizontal and vertical rotation of loudspeakers for optimum audience coverage
- Hard wearing semi matt black powder coat finish
- 3-Year Warranty Program*
- Designed and engineered in England

The NuQ82-FY is a matt black, powder coated flying yoke specifically designed to hang the NuQ82 in standalone applications, such as ceiling mounting in bars or clubs, or as an under-balcony fill. The NuQ82-FY consists of: a fly yoke; a pair of side plates, which attach to the sides of the loudspeaker; and a pair of plastic handle screws that secure the fly yoke to the side plates. Once the enclosure has been adjusted for the desired coverage, the handle screws are tightened to maintain that angle.



You Are Covered

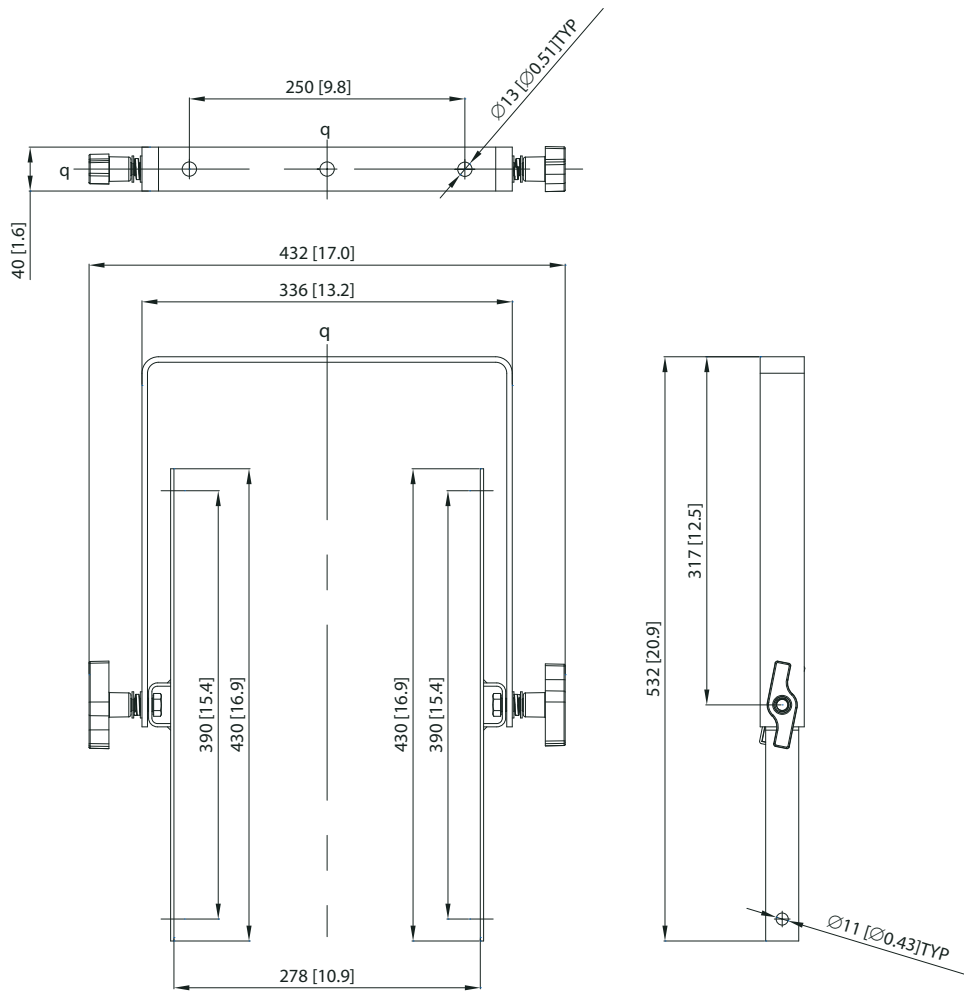
We always strive to provide the best possible Customer Experience. Our products are made in our own MUSIC Group factory using state-of-the-art automation, enhanced production workflows and quality assurance labs with the most sophisticated test equipment available in the world. As a result, we have one of the lowest product failure rates in the industry, and we confidently back it up with a generous 3-Year Warranty program.



NuQ82-FY

Flying Yoke for NuQ82 Loudspeakers

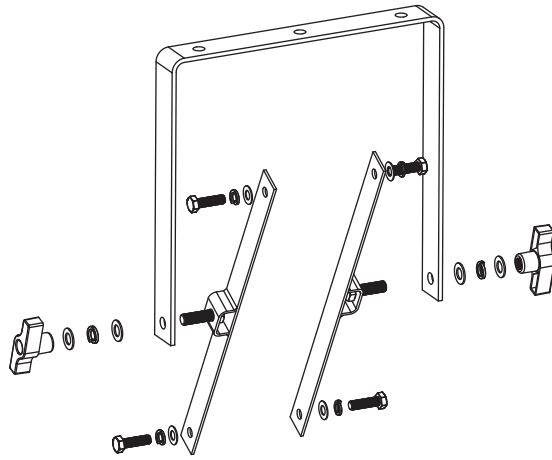
Dimensions



NuQ82-FY

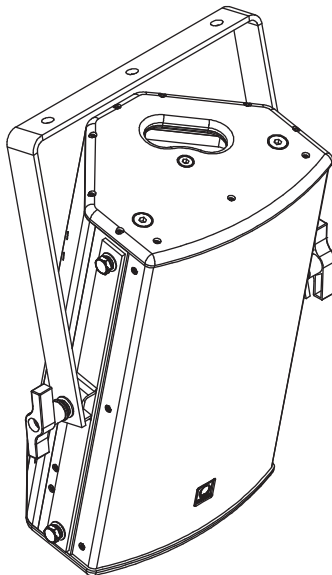
Flying Yoke for NuQ82 Loudspeakers

Contents:



Mounting and Rigging Examples

The NuQ82-FY fly yoke allows the NuQ82 cabinet to be surface and scaffold mounted, and angled for optimum positioning and coverage.



NuQ82-FY

Flying Yoke for NuQ82 Loudspeakers



NuQ82-FY

Flying Yoke for NuQ82 Loudspeakers



NuQ82-FY

Flying Yoke for NuQ82 Loudspeakers



For service, support or more information contact the TURBOSOUND location nearest you:

Europe
MUSIC Group Services UK
Tel: +44 156 273 2290
Email: CARE@music-group.com

USA/Canada
MUSIC Group Services NV Inc.
Tel: +1 702 800 8290
Email: CARE@music-group.com

Japan
MUSIC Group Services JP K.K.
Tel: +81 3 6231 0454
Email: CARE@music-group.com

MUSIC Group accepts no liability for any loss which may be suffered by any person who relies either wholly or in part upon any description, photograph, or statement contained herein. Technical specifications, appearances and other information are subject to change without notice. All trademarks are the property of their respective owners. MIDAS, KLARK TEKNIK, LAB GRUPPEN, LAKE, TANNÖY, TURBOSOUND, TC ELECTRONIC, TC HELICON, BEHRINGER, BUGERA and DDA are trademarks or registered trademarks of MUSIC Group IP Ltd.
© MUSIC Group IP Ltd. 2016 All rights reserved.