

## Accessories

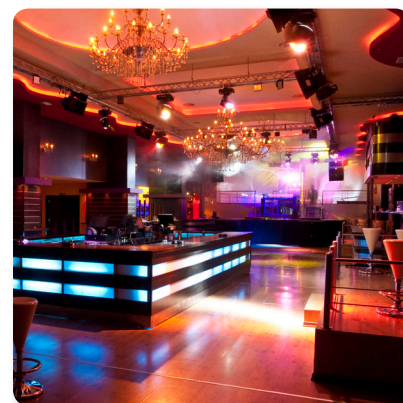
# NuQ102-SB

Swivel Bracket for NuQ102 Loudspeakers



- Steel swivel bracket for NuQ102 loudspeakers
- Mounts 1 speaker to a wall
- Hard wearing semi matt black powder coat finish
- 10-Year Warranty Program\*
- Designed and engineered in the U.K.

The NuQ102-SB is a matt black, powder coated swivel bracket specifically designed to hang the NuQ102 in standalone applications, such as ceiling mounting in bars or clubs, or as an under-balcony fill. The NuQ102-SB consists of: a swivel bracket, a swivel holder which is inserted into the loudspeaker pole socket, and a plastic handle screw that secures the swivel bracket to the top of the loudspeaker. Once the enclosure has been adjusted for the desired coverage, the included M4 screws are inserted to maintain that angle.



## You Are Covered

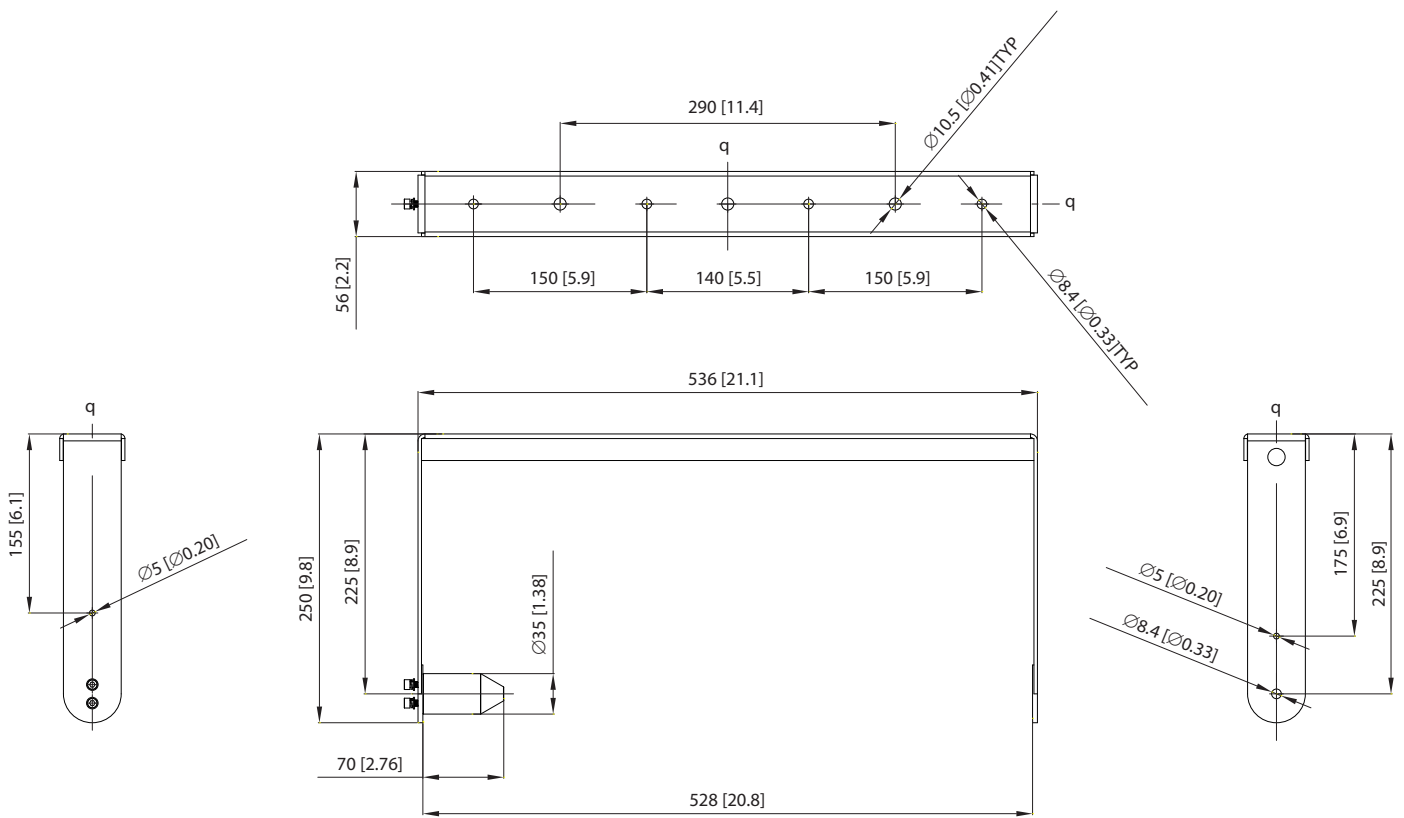
We always strive to provide the best possible Customer Experience. Our products are made in our own **MUSIC Tribe** factory using state-of-the-art automation, enhanced production workflows and quality assurance labs with the most sophisticated test equipment available in the world. As a result, we have one of the lowest product failure rates in the industry, and we confidently back it up with a generous **Warranty program**.



# NuQ102-SB

Swivel Bracket for NuQ102 Loudspeakers

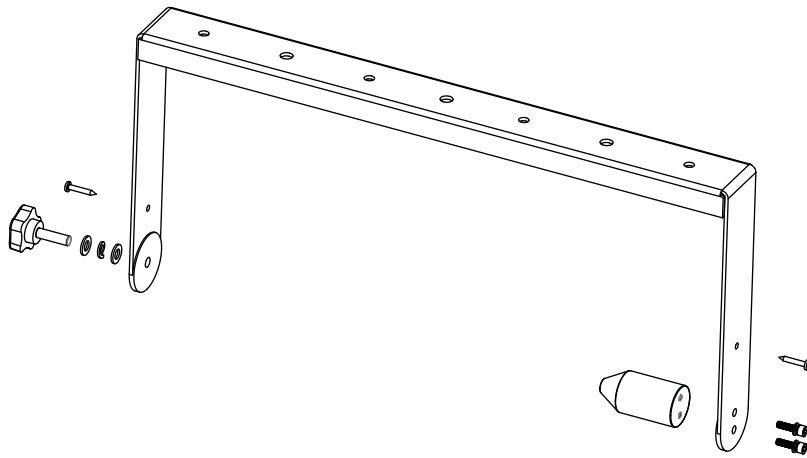
## Dimensions



# NuQ102-SB

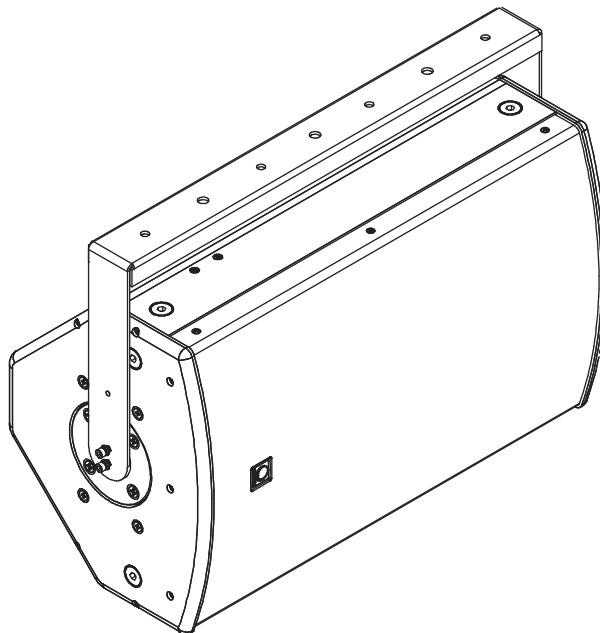
Swivel Bracket for NuQ102 Loudspeakers

## Contents



## Mounting and Rigging

The NuQ102-EB extender bracket kit, combined with a NuQ102-SB swivel bracket, allows two NuQ102 cabinets to be arrayed together, surface and scaffold mounted, and angled for optimum positioning and coverage.



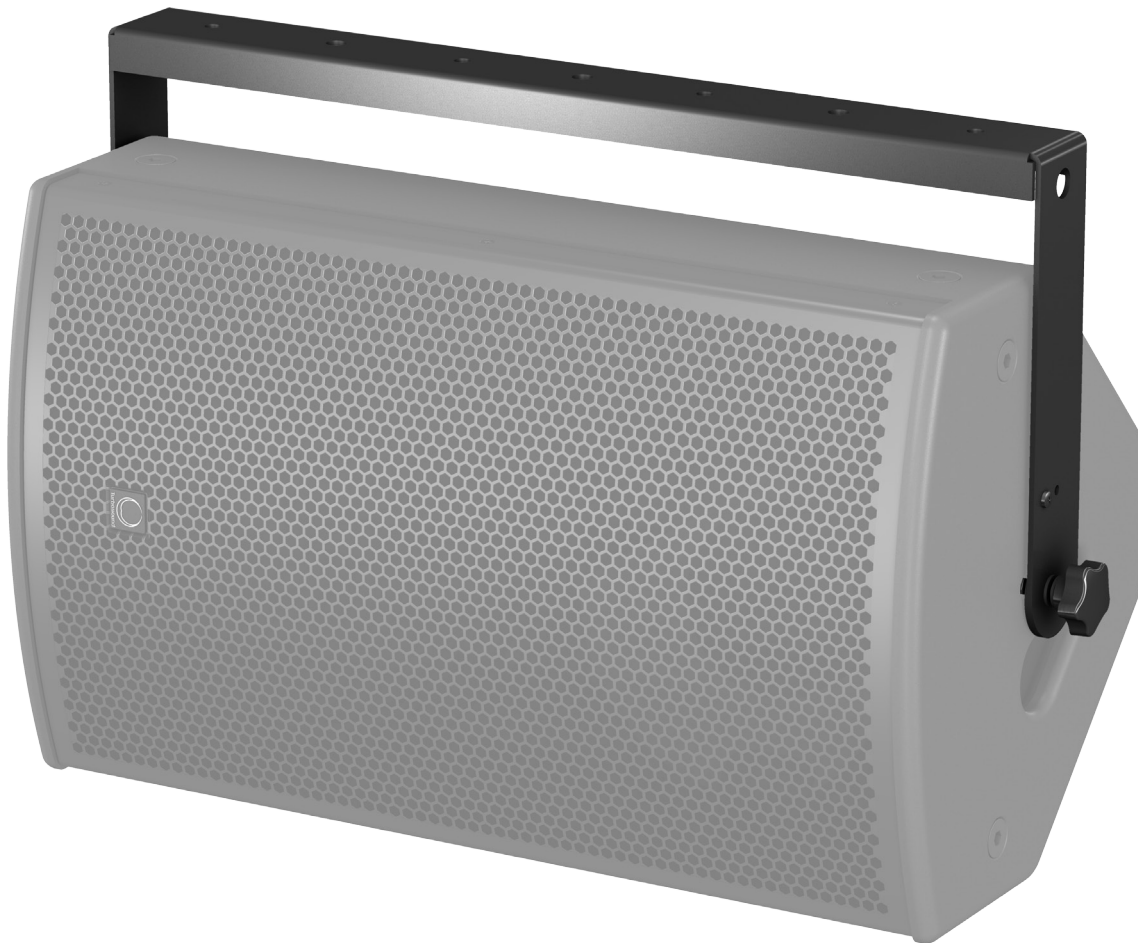
# NuQ102-SB

Swivel Bracket for NuQ102 Loudspeakers



# NuQ102-SB

Swivel Bracket for NuQ102 Loudspeakers



For service, support or more information contact the TURBOSOUND location nearest you:

**Europe**  
**MUSIC Tribe Brands UK Ltd.**  
Tel: +44156 273 2290  
Email: CARECrea@music-group.com  
CAREnte@music-group.com  
CARELife@music-group.com

**USA/Canada**  
**MUSIC Tribe Commercial NV Inc.**  
Tel: +1 702 800 8290  
Email: CARECrea@music-group.com  
CAREnte@music-group.com  
CARELife@music-group.com

**Japan**  
**MUSIC Tribe Services JP K.K.**  
Tel: +81 3 6231 0453  
Email: CARECrea@music-group.com  
CAREnte@music-group.com  
CARELife@music-group.com

MUSIC Tribe accepts no liability for any loss which may be suffered by any person who relies either wholly or in part upon any description, photograph, or statement contained herein. Technical specifications, appearances and other information are subject to change without notice. All trademarks are the property of their respective owners. MIDAS, KLARK TEKNIK, LAB GRUPPEN, LAKE, TANNNOY, TURBOSOUND, TC ELECTRONIC, TC HELICON, BEHRINGER, BUGERA and COOLAUDIO are trademarks or registered trademarks of MUSIC Tribe Global Brands Ltd. © MUSIC Tribe Global Brands Ltd. 2018 All rights reserved.