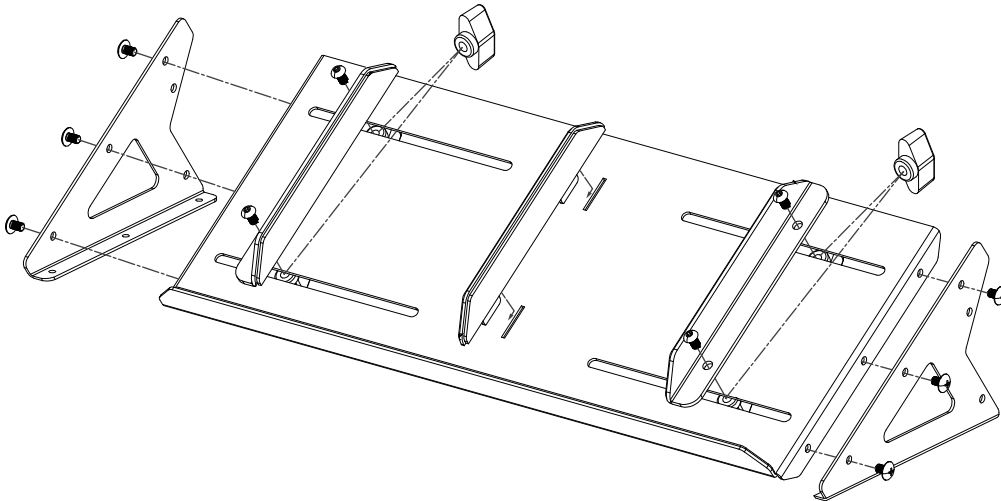


- Modular stand for desktop synthesizers, drum machines, samplers etc.
- Slidable partitions for individual width adjustment
- Removable centre bar
- Suitable extension brackets for mounting a second stand optionally available (item no. 491892)
- Dimensions:
485 × 128 × 198 mm (W × H × D)
- Weight: 2.4 kg
- Colour: black

Mounting



Ensure that plastic bags, packaging, etc. are properly disposed of and are not in the reach of babies and young children. Choking hazard!



For the packaging, environmentally friendly materials have been chosen that can be supplied to normal recycling. Ensure that plastic bags, packaging, etc. are properly disposed of. Do not just dispose of these materials with your normal household waste, but make sure that they are collected for recycling. Please follow the notes and markings on the packaging.