

# LB10-UC06V-x Cabinet loudspeakers 6W volume control

www.boschsecurity.com



**BOSCH**  
Invented for life



- ▶ Good speech intelligibility and background music reproduction
- ▶ Finished in white or black
- ▶ ABS construction
- ▶ With integral volume control
- ▶ Complies with international installation and safety regulations

The LB10-UC06V-x are 6 W, general-purpose, cost-effective loudspeakers for indoor use, with volume control. Keyholes at the rear are provided for quick and easy wall mounting. The loudspeakers are available in black and white.

to higher customer satisfaction, longer operating life, and lessens the chance of failure or performance deterioration.

Safety

acc. to EN 62368-1

## Functions

The enclosure is made of robust, solid ABS (acrylonitrile butadiene styrene). The angled front baffle results in improved high frequency reproduction in the listening area.

These speakers are also available without a volume control.

## Certifications and approvals

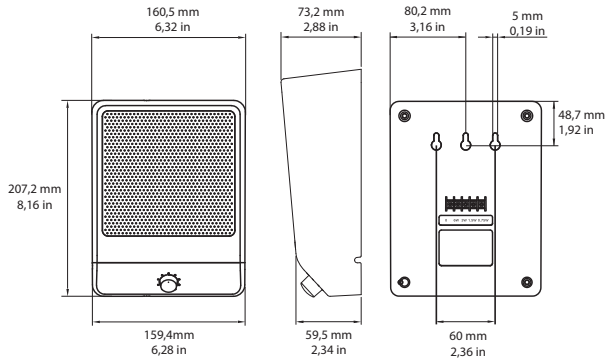
### Quality assurance

All Bosch loudspeakers are designed to withstand operating at their rated power for 100 hours in accordance with IEC 60268-5 Power Handling Capacity (PHC) standards. Bosch has also developed the Simulated Acoustical Feedback Exposure (SAFE) test to demonstrate that they can withstand two times their rated power for short durations. This ensures improved reliability under extreme conditions, leading

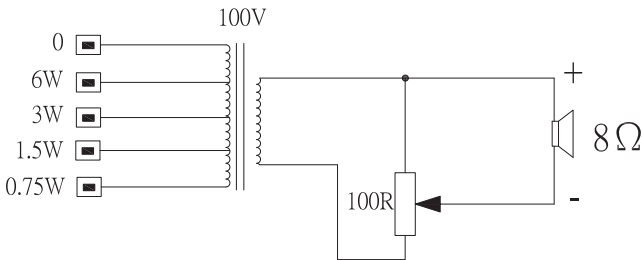
## Installation/configuration notes

Three keyholes in the rear panel provide easy and quick wall mounting.

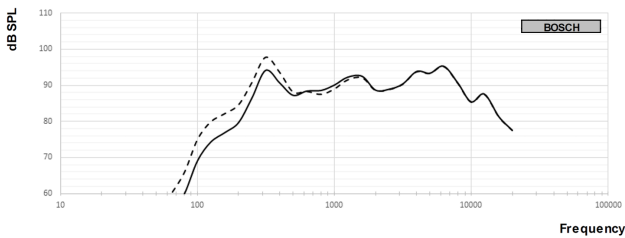
A convenient, easy-to-use, four-pole screw terminal block is on the rear panel for on-site wiring. This terminal block has provision for power tapping on the 100 V, matching transformer in the cabinet. It allows selection of nominal full-power, half-power or quarter-power radiation (in 3 dB steps).



LB10-UC06V-x dimensions

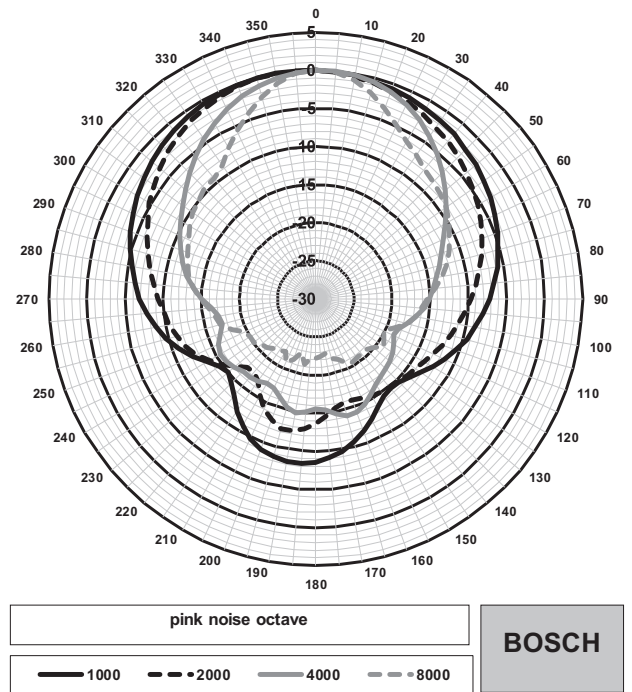


LB10-UC06V-x circuit diagram

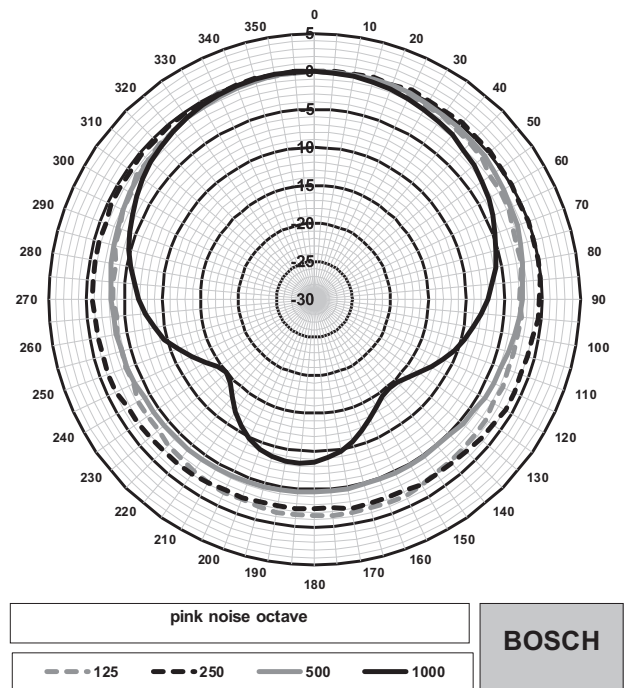


Frequency response

— Full-space measurement result  
 - - - Half-space measurement result



Polar diagram horizontal (high frequency). Normalized at 0 degrees axis.



Polar diagram horizontal (low frequency). Normalized at 0 degrees axis.

## Technical specifications

### Electrical\*

Rated power	6 / 3 / 1.5 / 0.75 W
Sound pressure level at 6 W / 1 W (1 m)	99 dB / 91 dB (SPL)
Effective frequency range	145 Hz to 18kHz (-10 dB)
Opening angle	1 kHz / 4 kHz (-6 dB)
horizontal	165° / 88°
vertical	165° / 88°
Rated input voltage	100 V
Rated impedance	1667 ohm
Connector	4-pole screw terminal block

\* Technical performance data acc. to IEC 60268-5 (half space)

### Mechanical

Dimensions (H x W x D)	207.2 mm x 160.5 mm x 73.2 mm (8.16 in x 6.32 in x 2.88 in)
Weight	0.77 kg (1.70 lb)

Color LB10-UC06V-D	Black (RAL 9004)
Color LB10-UC06V-L	White (RAL 9003)

### Environmental

Operating temperature	-25 °C to +55°C (-13 °F to +131 °F)
Storage and transport temperature	-40 °C to +70 °C (-40 °F to +158 °F)
Relative humidity	<95%

## Ordering information

### LB10-UC06V-D Cabinet speaker 6W volume control black

Cabinet loudspeaker 6 W, ABS enclosure, finished in black, with 3 keyholes for wall mounting, and volume control.

Order number **LB10-UC06V-D**

### LB10-UC06V-L Cabinet speaker 6W volume control white

Cabinet loudspeaker 6 W, ABS enclosure, finished in white, with 3 keyholes for wall mounting, and volume control.

Order number **LB10-UC06V-L**

#### Represented by:

**Europe, Middle East, Africa:**  
Bosch Security Systems B.V.  
P.O. Box 80002  
5600 JB Eindhoven, The Netherlands  
Phone: + 31 40 2577 284  
emea.securitysystems@bosch.com  
emea.boschsecurity.com

**Germany:**  
Bosch Sicherheitssysteme GmbH  
Robert-Bosch-Ring 5  
85630 Grasbrunn  
Germany  
www.boschsecurity.com

**North America:**  
Bosch Security Systems, Inc.  
130 Perinton Parkway  
Fairport, New York, 14450, USA  
Phone: +1 800 289 0096  
Fax: +1 585 223 9180  
onlinehelp@us.bosch.com  
www.boschsecurity.us

**Asia-Pacific:**  
Robert Bosch (SEA) Pte Ltd, Security Systems  
11 Bishan Street 21  
Singapore 573943  
Phone: +65 6571 2808  
Fax: +65 6571 2699  
apr.securitysystems@bosch.com  
www.boschsecurity.asia