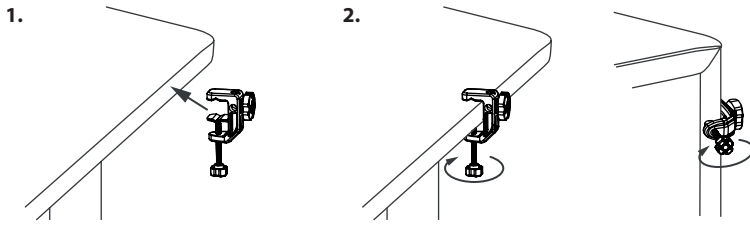
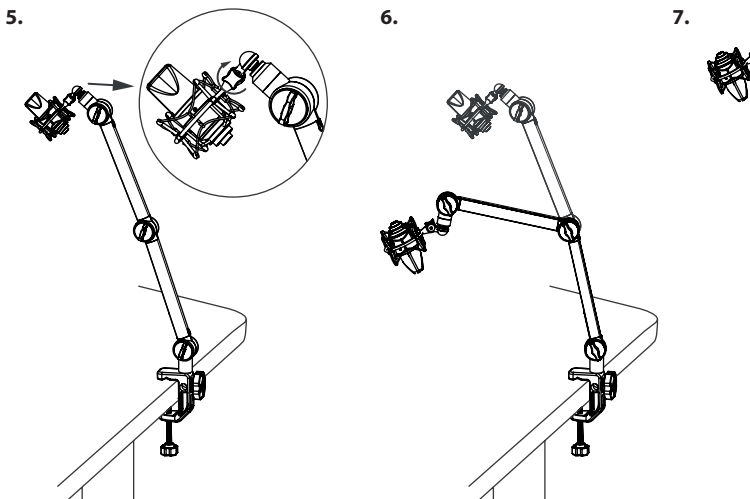
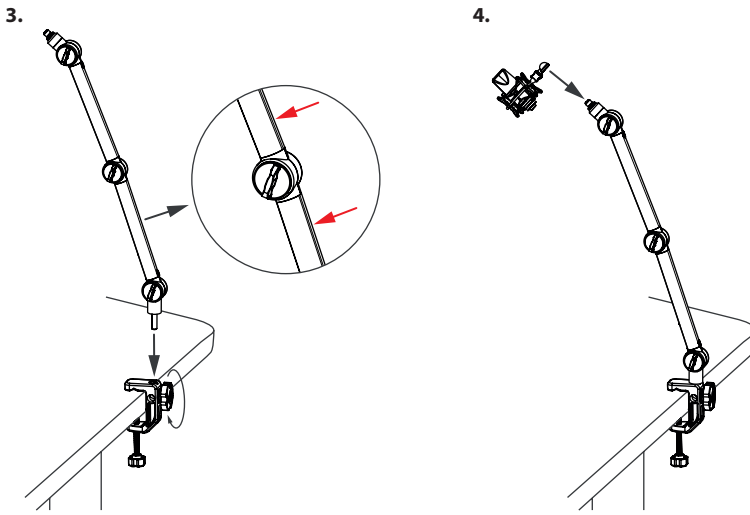


Microphone arm



Damage to microphone cable due to incorrect attachment!
 If the microphone cable is attached too close to the joints of the microphone arm, the microphone cable can be damaged when the angle of the microphone arm is changed. When attaching the microphone cable, make sure it has sufficient clearance from the joints of the microphone arm.



General information

This document contains important information. Read and follow the instructions. Keep the document for future reference. If you pass the product on to others, please include this document. Contents are subject to change. Please refer to the latest version of the documentation, which is available for download at www.thomann.de.

Intended use

This product is intended for stable fixing and adjustable installation of microphones. Any other use or use under other operating conditions is considered to be improper and may result in personal injury or property damage. No liability will be assumed for damage resulting from improper use. This product may be used only by persons with sufficient physical, sensory, and intellectual abilities and having corresponding knowledge and experience. Other persons may use this device only if they are supervised or instructed by a person who is responsible for their safety.



Risk of injury and choking hazard for children!

Children can suffocate on packaging material and small parts. Children can injure themselves when handling the product. Never allow children to play with the packaging material and the product. Always store packaging material out of the reach of babies and small children. Always dispose of packaging material properly when it is not in use. Never allow children to use the product without supervision. Keep small parts away from children and make sure that the product does not shed any small parts that children could play with.

- High-quality stand formicrophones for table mounting
- Microphone cables up to 8 mm in diameter can be attached to the tops of the arms
- Locking middle joint
- 3/8-inch threaded connection with 5/8-inch adapter
- For horizontal and vertical mounting
- Clamp diameter: up to 56 mm
- Table feedthrough: up to 45 mm (20 mm hole)
- Dimension of arms: 430 mm each
- Maximum load: up to 1.5 kg
- Clamp weight: 250 g
- Total weight: 2.55 kg
- Material: Aluminium
- Colour: black



Risk of injury due to the product tipping over from excessive loading!

In case of excessive loading, the product can tip over and cause injury and property damage. Never exceed the specified maximum load for the product.



Environmentally friendly materials have been chosen for the packaging. These materials can be sent for normal recycling. Ensure that plastic bags, packaging, etc. are disposed of in the proper manner. Do not dispose of these materials with your normal household waste, but make sure that they are collected for recycling. Please follow the instructions and markings on the packaging.



Observe the disposal note regarding documentation in France.