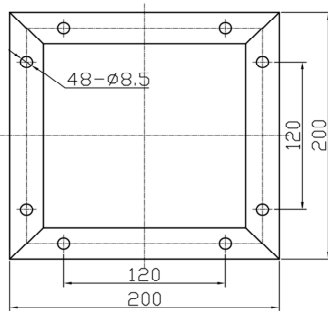


decoTruss Quad ST

4-Way Cross Beam



Size in millimeters

System components (straights):		
Designation	No.	Weight (kg)
Quad ST- 500	60112415	3,0
Quad ST- 1000	60112425	5,4
Quad ST- 2000	60112435	10,3

Material used:

Alloy	Steel Q195
Main chords	25 x 25 x 1 mm
Braces	8 mm
Accessory/truss	4x bolts M8-8.8, 8x washer, 4x spring lock washer, 4x self locking nuts
Item No.	60112475

Load table Quad ST:					
Span	UDL	Point load	at the one-third span points	at the one-quarter span points	at the one-fifth span points
(m)	(kg/m)	(kg)	(kg)	(kg)	(kg)
1,5	205	157	101	72	56
2	116	116	87	58	49
2,5	74	92	69	46	38
3	50	76	57	38	31
3,5	36	64	48	32	27
4	27	54	41	27	23
4,5	21	47	35	24	20
5	17	41	31	21	17
5,5	13	36	27	18	15
6	11	32	24	16	13
6,5	9	28	21	14	12
7	7	25	19	13	11
7,5	6	22	17	11	9
8	5	20	15	10	8

Maximum system length: 8 meters

The load capacities given in this load table are based on calculations in accordance with EN 1993 and include the net weight of the product of 5.4 kg/m. This load table is valid only for linear segments of the cross beam system DECOTRUS Quad ST 4-Way Cross Beam.

This product has been designed for static loads only. No dynamic loads. If dynamic loads are to be attached to the system, the user has to provide appropriate proof.

Loads are to be attached only to the intersections of the braces and main chords. That applies to loads distributed over the carrier length too.

The cross beams and connectors must be checked for damages and deformations before each use.

The cross beams may only be mounted in horizontal and vertical alignment with suitable tools, must be connected symmetrically with at least 4 bolts M8 of quality 8.8 and tightened with a torque of 3 Nm.

