



# ART 912-A

PROFESSIONAL ACTIVE SPEAKER

## TECHNICAL SPECIFICATIONS

|                                  |                            |                                |
|----------------------------------|----------------------------|--------------------------------|
| <b>Acoustical specifications</b> | Frequency Response:        | 50 Hz ÷ 20000 Hz               |
|                                  | Max SPL @ 1m:              | 130 dB                         |
|                                  | Horizontal coverage angle: | 100°                           |
|                                  | Vertical coverage angle:   | 60°                            |
| <b>Transducers</b>               | Compression Driver:        | 1 x 1.0", 1.75" v.c            |
|                                  | Woofers:                   | 12", 2.5" v.c                  |
| <b>Input/Output section</b>      | Input signal:              | bal/unbal                      |
|                                  | Input connectors:          | XLR, Jack                      |
|                                  | Output connectors:         | XLR                            |
|                                  | Input sensitivity:         | -2 dBu/+4 dBu                  |
| <b>Processor section</b>         | Crossover Frequencies:     | 1800 Hz                        |
|                                  | Protections:               | Thermal, RMS                   |
|                                  | Limiter:                   | Soft Limiter                   |
|                                  | Controls:                  | Linear, Boost, Stage, Volume   |
| <b>Power section</b>             | Total Power:               | 2100 W Peak                    |
|                                  | High frequencies:          | 700 W Peak                     |
|                                  | Low frequencies:           | 1400 W Peak                    |
|                                  | Cooling:                   | Convection                     |
|                                  | Connections:               | VDE                            |
| <b>Standard compliance</b>       | CE marking:                | Yes                            |
| <b>Physical specifications</b>   | Cabinet/Case Material:     | PP Composite                   |
|                                  | Hardware:                  | 1 x M10 Top, 1 x M10 each side |
|                                  | Handles:                   | 1 Top, 1 each side             |
|                                  | Pole mount/Cap:            | Yes                            |
|                                  | Grille:                    | Steel                          |
|                                  | Color:                     | Black                          |
| <b>Size</b>                      | Height:                    | 642 mm / 25.28 inches          |
|                                  | Width:                     | 370 mm / 14.57 inches          |
|                                  | Depth:                     | 363 mm / 14.29 inches          |
|                                  | Weight:                    | 19 kg / 41.89 lbs              |
| <b>Shipping informations</b>     | Package Height:            | 685 mm / 26.97 inches          |
|                                  | Package Width:             | 430 mm / 16.93 inches          |
|                                  | Package Depth:             | 423 mm / 16.65 inches          |
|                                  | Package Weight:            | 21.2 kg / 46.74 lbs            |



**PART NUMBER**

- **13000678**

ART 912-A

115V

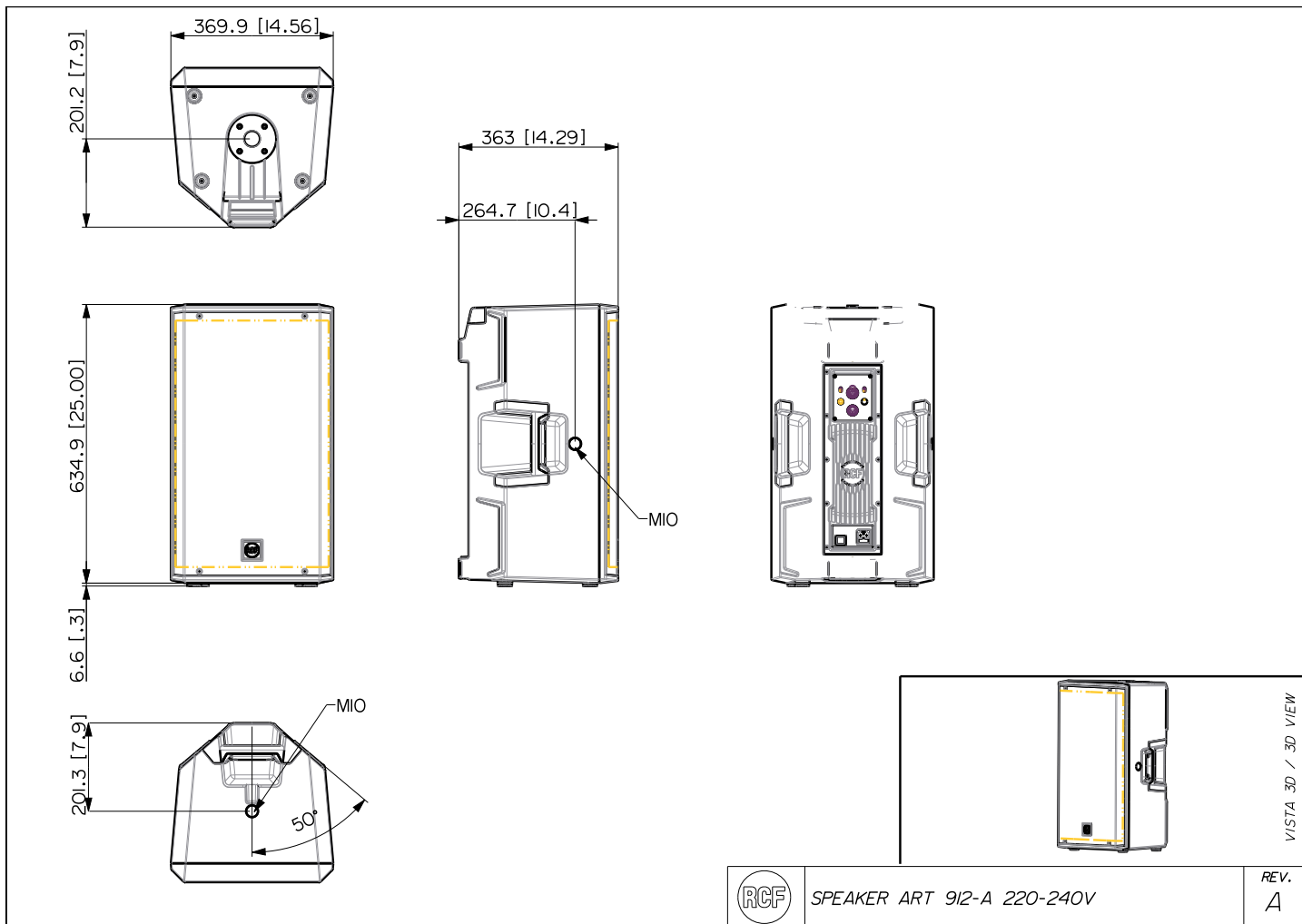
EAN 8024530019259

- **13000655**

ART 912-A

220-240V

EAN 8024530019105



**ACCESSORIES**

AC PMA - POLE MOUNT

PART NUMBER **13360034**  
EAN: 8024530007713

AC PM-M20

PART NUMBER **13360067**  
EAN: 8024530014599

AC PMX POLE MOUNT M20

PART NUMBER **13360232**  
EAN: 8024530010058

AC PRO-FS PROFESS. LOCKING FLOOR STAND

PART NUMBER **13360109**  
EAN: 8024530006471

AC PRO-PM PROFESS. LOCKING POLE MOUNT

PART NUMBER **13360110**  
EAN: 8024530006488

COVER CVR ART 912

PART NUMBER **13360474**  
EAN: 8024530018849

FLYING BRACKET FL-BR ART 912

PART NUMBER **13360477**  
EAN: 8024530019204

HORIZONTAL BRACKET H-BR ART 912

PART NUMBER **13360475**  
EAN: 8024530019228

VERTICAL BRACKET V-BR ART 912

PART NUMBER **13360476**  
EAN: 8024530019211