

DATA SHEET

ISOLATION BOOTH

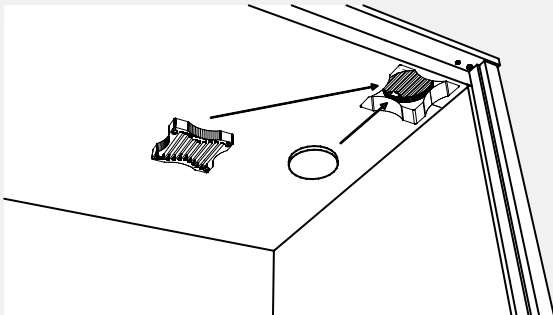
This data sheet applies to the following product: Isolation Booth Fan Module



FEATURES

- ✓ Active fan module for t.akustik Isolation Booth (item no. 563668)
- ✓ Allows active air circulation
- ✓ Used air is extracted from the isolation booth
- ✓ Fresh air is supplied through the lateral air vents
- ✓ Silent fan
- ✓ Easy installation by attaching fan to the roof element of the isolation booth
- ✓ Air exchange: 40 m³ / 20 × per hour
- ✓ Supply voltage: 100 - 240 ~ V 50/60 Hz
- ✓ Incl. connection cable with plug
- ✓ Dimensions (W × H × D): 400 mm × 108 mm × 230 mm
- ✓ Weight: 3.6 kg
- ✓ Ambient conditions:
 - Temperature range: 0 °C...40 °C
 - Relative humidity: 20%...80% (non-condensing)

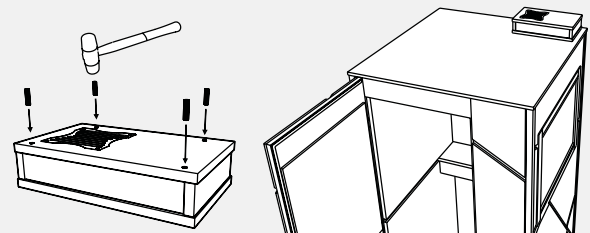
COMPLETING THE AIR VENTS



Insert the foam filter in the opening of the isolation booth and attach the ventilation cover with four screws.

Insert the wooden dowels on the bottom of the fan module and insert the fan module into the pre-drilled holes of the roof element of the isolation booth.

ATTACHING FAN MODULE



DATA SHEET



Find more solutions for your space on our website: www.takustik.com



Share your installation with us on Instagram: www.takustik.com/instagram



Find additional assembly instructions on YouTube: www.takustik.com/youtube

This document contains important information. Read and follow the instructions. Keep the document for future reference. If you pass the product on to others, please include this document. Contents are subject to change. Please refer to the latest version of the documentation, which is available for download at www.thomann.de.

This product is designed for ventilation and air circulation in the t.akustik isolation booth. Any other use or use under other operating conditions is considered to be improper and may result in personal injury or property damage. No liability will be assumed for damage resulting from improper use. This product may be used only by persons with sufficient physical, sensory, and intellectual abilities and with the relevant knowledge and experience. Other persons may use this device only if they are supervised or instructed by a person who is responsible for their safety.



Children can suffocate on packaging material and small parts. Children can injure themselves when handling the device. Never allow children to play with the packaging material and the device. Always store packaging material out of the reach of babies and small children. Always dispose of packaging material properly when it is not in use. Never allow children to use the device without supervision. Keep small parts away from children and make sure that the device does not shed any small parts (such as knobs) that children could play with.



The device contains parts where high voltage is present. Never remove any covers! There are no user-serviceable parts inside the device. Do not use the device if covers, safety equipment or optical components are missing or damaged.



If the vents of the device are covered or the device is operated in the immediate vicinity of other heat sources, the device can overheat and burst into flames. Never cover the device or the vents. Do not install the device in the immediate vicinity of other heat sources. Never operate the device in the immediate vicinity of naked flames.



The device can be damaged if it is operated in unsuitable ambient conditions. Only operate the device indoors within the ambient conditions specified in the "Technical specifications" chapter of this user manual. Avoid operating it in environments with direct sunlight, heavy dirt and strong vibrations. Avoid operating it in environments with strong temperature fluctuations. If temperature fluctuations cannot be avoided (for example after transport in low outside temperatures), do not switch on the device immediately. Never subject the device to liquids or moisture. Never move the device to another location while it is in operation. In environments with increased dirt levels (for example due to dust, smoke, nicotine or mist): Have the device cleaned by qualified specialists at regular intervals to prevent damage due to overheating and other malfunctions.



The device can be damaged if it is operated with the incorrect voltage or if high voltage peaks occur. In the worst case, excess voltages can also cause a risk of injury and fires. Make sure that the voltage specification on the device matches the local power grid before plugging in the device. Only operate the device from professionally installed mains sockets that are protected by a residual current circuit breaker (FI). Ensure that the power cord plug is easily accessible at all times if it is the only device to safely disconnect the device from the mains supply. As a precaution, disconnect the device from the power grid when storms are approaching or if the device will not be used for a longer period.



Environmentally friendly materials have been chosen for the packaging. These materials can be sent for normal recycling. Ensure that plastic bags, packaging, etc. are disposed of in the proper manner. Do not dispose of these materials with your normal household waste, but make sure that they are collected for recycling. Please follow the instructions and markings on the packaging.



This product is subject to the European Waste Electrical and Electronic Equipment Directive (WEEE) as amended.

Do not dispose of your old device with your normal household waste; instead, deliver it for controlled disposal by an approved waste disposal firm or through your local waste facility. If in doubt, consult your local waste management facility. You can also return the device to a retailer if they offer to take the device back for free or if they are legally obliged to do so. When disposing of the device, comply with the rules and regulations that apply in your country. You can also return your old device to Thomann GmbH at no charge. Check the current conditions on www.thomann.de. Proper disposal protects the environment as well as the health of your fellow human beings. This is because the proper handling of old devices negates the potential negative effects of hazardous substances, and because it conserves resources by recycling them.

Also note that waste avoidance is a valuable contribution to environmental protection. Repairing a device or passing it on to another user is an ecologically valuable alternative to disposal. For example, use the classified ads of Thomann GmbH.

If your old device contains personal data, delete those data before disposing of it.



Observe the disposal note regarding documentation in France.