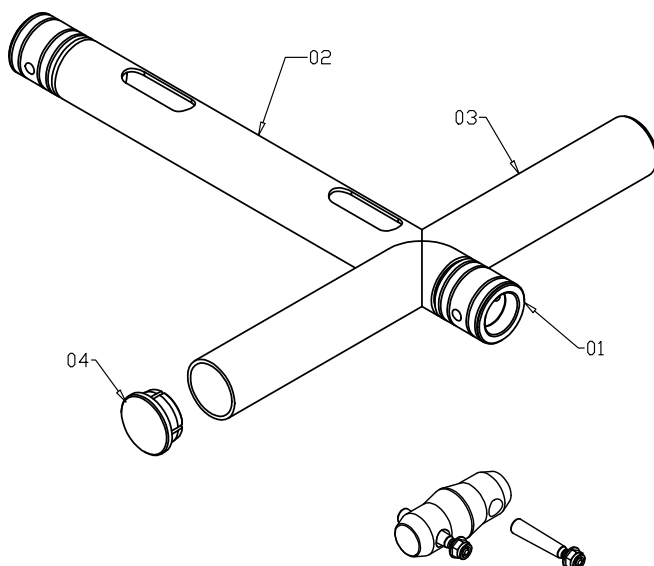
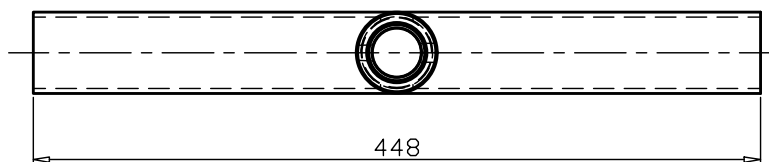
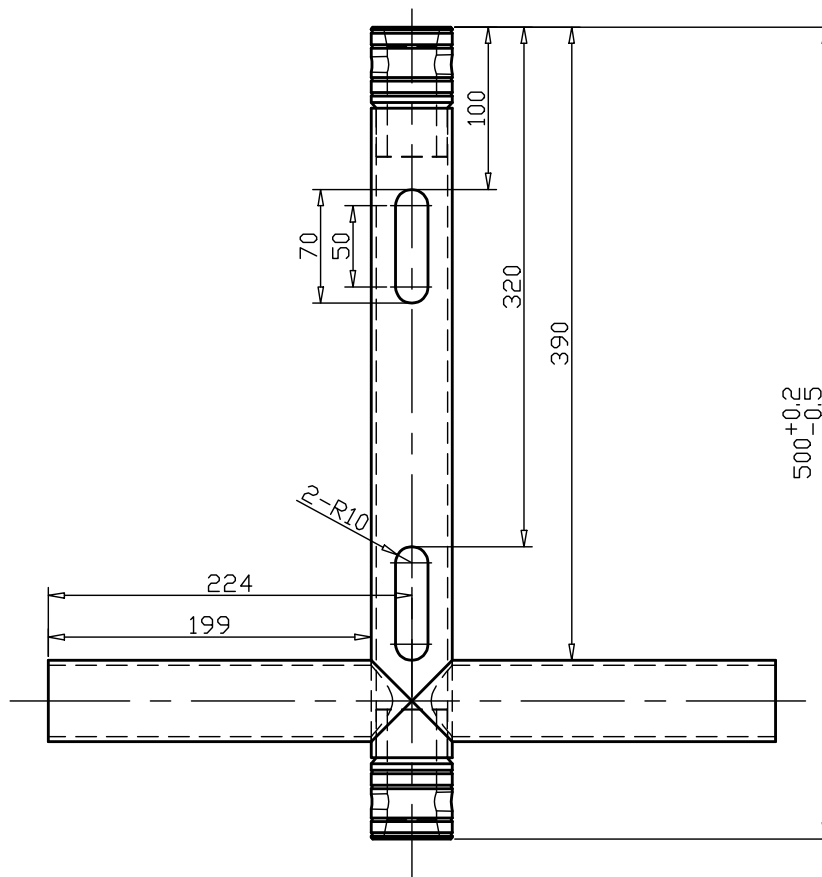


F31 MODULAR SYSTEM CROSS 50CM

F31MT50-B



04	PJ-NS017C		RAW	2
03	∅50*3.0t*224mm	#6082	T6	2
02	∅50*3.0t*400mm	#6082	T6	1
01	DMS-01-2CR	#6082	T6	2
NO.	SPEC.	MATERIAL	FIN.	QTY.