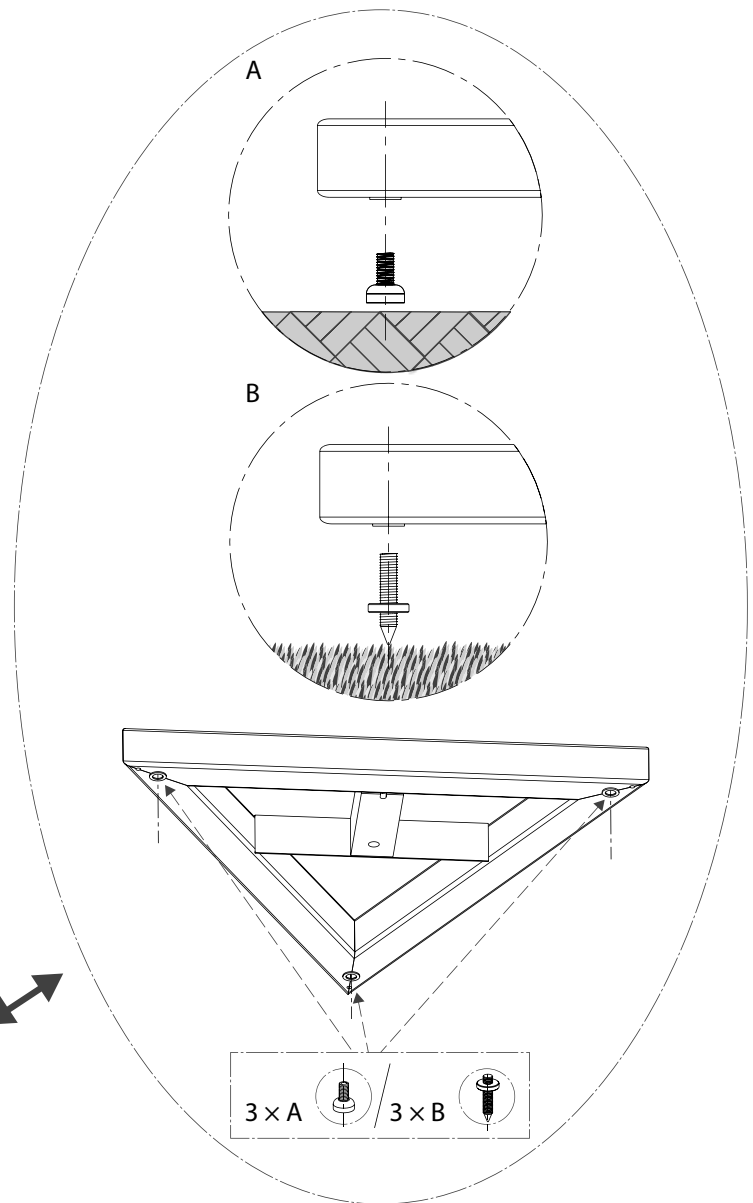
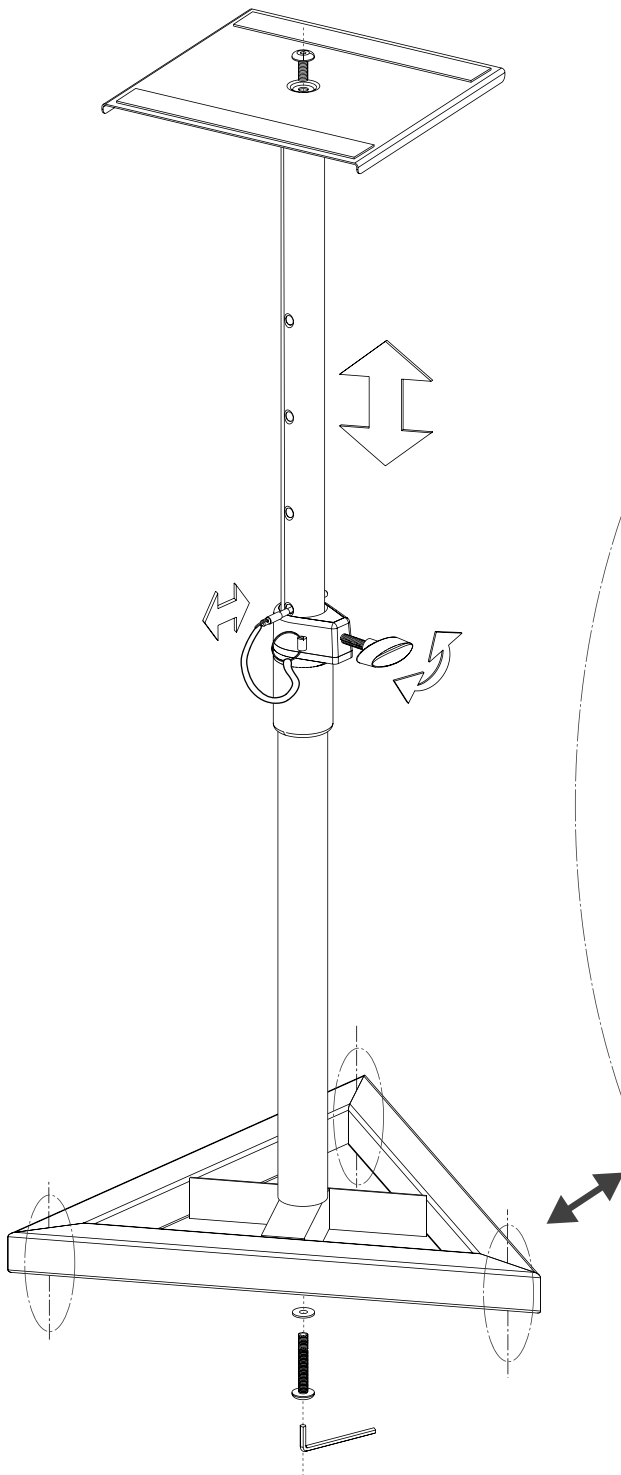


- Height-adjustable monitor stand for nearfield monitors
- Plate size: 23 cm x 23 cm
- Height adjustable from 93 cm -115 cm in several steps
- Side length of the triangular base: 45 cm each side
- Max. load capacity: 20 kg
- Weight: 7.9 kg/set



Ensure that plastic bags, packaging, etc. are disposed of properly and are not within reach of babies and young children. Choking hazard!

If placed on soft or uneven ground, the stand may overturn and cause injuries and property damage. Use the stand on flat and solid surfaces only.



For the transport and protective packaging, environmentally friendly materials have been chosen that can be supplied to normal recycling. Ensure that plastic bags, packaging, etc. are properly disposed of. Do not just dispose of these materials with your normal household waste, but make sure that they are collected for recycling. Please follow the notes and markings on the packaging.