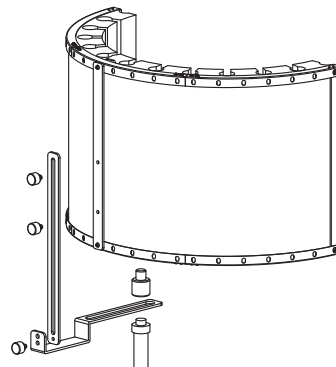


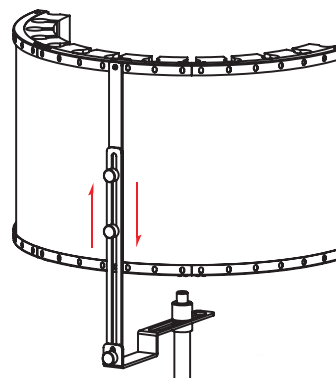
- ✓ Avoids the recording of unwanted room reflections and echoes
- ✓ Due to its design, Micscreen LE can easily be assembled for studio sessions and live performances
- ✓ Fits most standard microphone stands
- ✓ Adjustable height



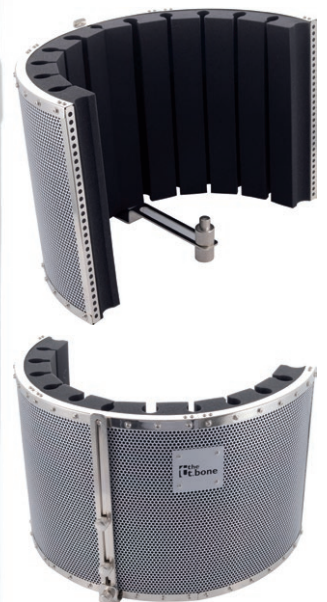
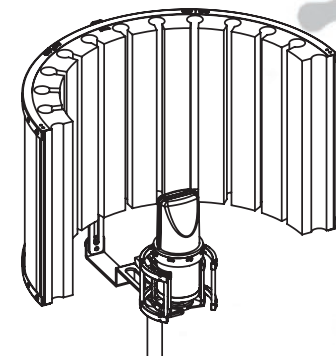
1. Please install the three screws and two connecting rods at the rear of the screen following the sketch shown right. Please mount the big microphone adaptor in the front of the screen.



2. To suit different microphones, the screen can be vertically adjusted at the back of the screen.



3. This shows the front view of the screen. The Microphone can also be adjusted to find a suitable position for recording.



For the transport and protective packaging, environmentally friendly materials have been chosen that can be supplied to normal recycling. Ensure that plastic bags, packaging, etc. are properly disposed of. Do not just dispose of these materials with your normal household waste, but make sure that they are collected for recycling. Please follow the notes and markings on the packaging.

Weight:	approx.. 3 kg
Diameter / width:	460 mm
Depth:	265 mm
Height:	300 mm
Wall thickness:	55 mm