

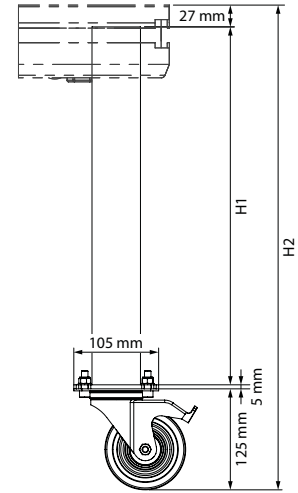
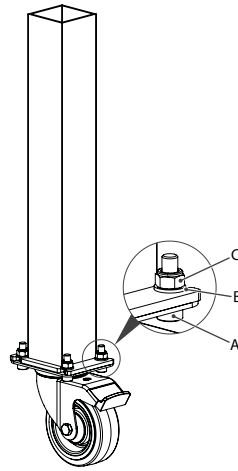
- Plug-in foot with braked castor (item no. 368986, 368984)
- Rollriser castor without brake with adapter holder for 60 mm × 60 mm plug-in foot (item no. 439965, 439958)
- Suitable for all Tour Stage platforms
- Sheet steel housing, galvanised
- Swivel bearing with double ball bearing and head seal
- Bolted wheel axle

	Tour Stage Leg Wheel 30cm (item no. 368986)	Tour Stage Leg Wheel 40cm (item no. 368984)	Tour Stage Rollriser Wheel 2 (item no. 439965)	Tour Stage Rollriser Wheel 1 (item no. 439958)
Brake	yes	yes	no	no
Ø wheel	100 mm	100 mm	100 mm	100 mm
Wheel width	36 mm	36 mm	36 mm	36 mm
Plate dimensions	105 mm × 85 mm	105 mm × 85 mm	/	/
Bolt hole spacing	80 mm × 60 mm	80 mm × 60 mm	Centred hole	Centred hole
Bolt hole	12 mm	9 mm	M12 × 40	M12 × 40
Ø swing circle	257 mm	257 mm	257 mm	257 mm
Swing circle radius	128.5 mm	128.5 mm	128.5 mm	128.5 mm
Mounting height	125 mm	125 mm	130 mm	130 mm
Additional height	/	/	130 mm	130 mm
Tread hardness	A 65 Shore	A 65 Shore	A 65 Shore	A 65 Shore
Tread material	Solid rubber	Solid rubber	Solid rubber	Solid rubber
Wheel centre material	Nylon	Nylon	Nylon	Nylon
Load capacity	150 kg	150 kg	150 kg	150 kg
Load capacity (static)	150 kg	150 kg	150 kg	150 kg
Standard	EN 12532	EN 12532	EN 12532	EN 12532
Weight	1.32 kg	1.51 kg	2.7 kg	1.8 kg

* The illustration is for illustrative purposes and may differ from the actual product.
Subject to change without notice.

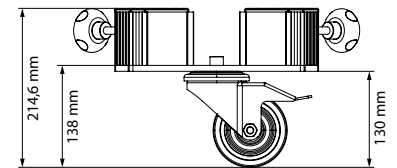
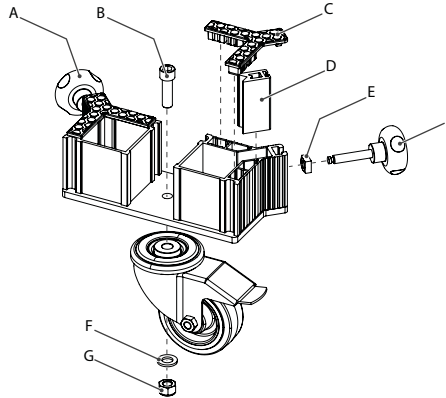
Tour Stage Leg Wheel 30cm (item no. 368986)
Tour Stage Leg Wheel 40cm (item no. 368984)

	Tour Stage Leg Wheel 30cm (item no. 368986)	Tour Stage Leg Wheel 40cm (item no. 368984)
H1	300 mm	400 mm
H2	143 mm	243 mm
A	4 × Allen screw M8 × 25	
B	4 × washer M8	
C	4 × hexagon nut M8	



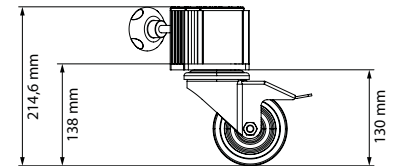
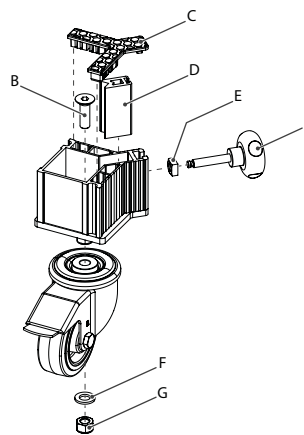
Tour Stage Rollriser Wheel 2 (item no. 439965)

A	2 × corner pressure screw
B	1 × Allen screw M12 × 40
C	2 × cover
D	2 × corner press block
E	2 × square nut M10
F	1 × washer M12
G	1 × hexagon nut M12



Tour Stage Rollriser Wheel 1 (item no. 439958)

A	1 × corner pressure screw
B	1 × Allen screw M12 × 40
C	1 × cover
D	1 × corner press block
E	1 × square nut M10
F	1 × washer M12
G	1 × hexagon nut M12



Ensure that plastic bags, packaging, etc. are disposed of properly and are not within reach of babies and young children. Choking hazard!

Exceeding the maximum load capacity can cause personal injury and property damage. Observe the maximum load capacity.



For the transport and protective packaging, environmentally friendly materials have been chosen that can be supplied to normal recycling. Ensure that plastic bags, packaging, etc. are properly disposed of. Do not just dispose of these materials with your normal household waste, but make sure that they are collected for recycling. Please follow the notes and markings on the packaging.