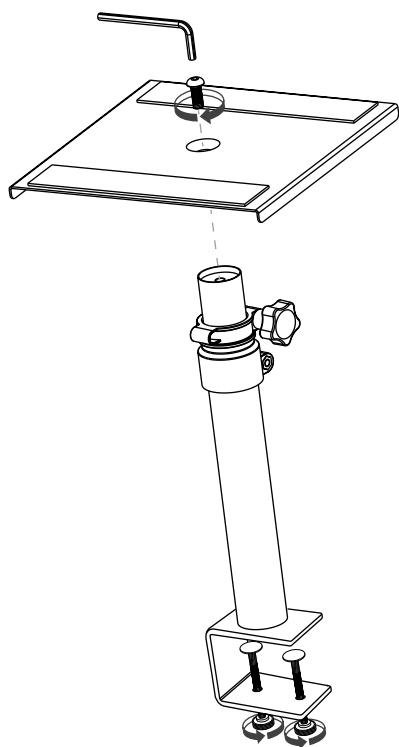


Millenium

Desktop Monitor Stand DM1
Desktop Monitor Stand DM2

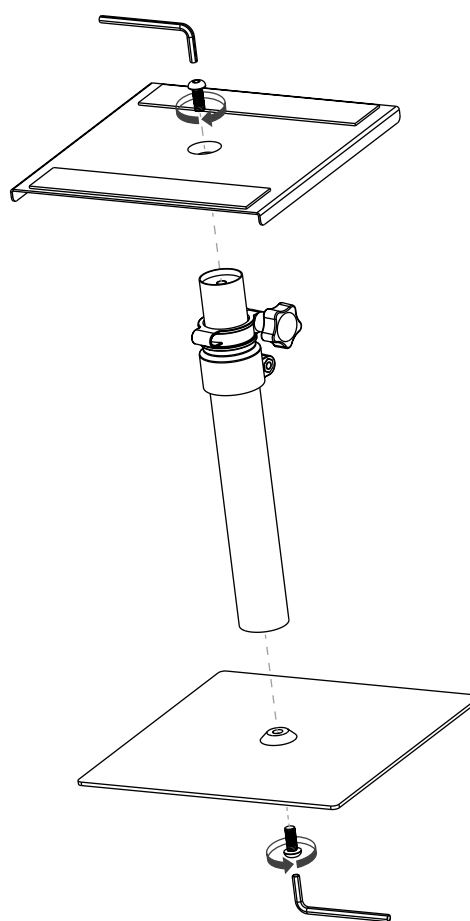
Desktop Monitor Stand DM1

- Desktop stand for monitor speakers
- Plate dimensions: 23 × 23 cm
- Infinitely height-adjustable: from 25 – 40 cm
- Table clamp infinitely height-adjustable: from 25 – 40 cm
- Weight: 1.6 kg
- Load capacity: 10 kg
- Colour: black



Desktop Monitor Stand DM2

- Desktop stand for monitor speakers
- Plate dimensions: 23 × 23 cm
- Base plate: 24 × 24 cm
- Infinitely height-adjustable: from 30 – 51 cm
- Weight: 1.7 kg
- Load capacity: 10 kg
- Colour: black



This device is used to set up and align speaker boxes. Any other use or use under other operating conditions is considered to be improper and may result in personal injury or property damage. No liability will be assumed for damages resulting from improper use.



Ensure that plastic bags, packaging, etc. are properly disposed of and are not in the reach of babies and young children. Choking hazard! Ensure that children do not detach any small parts from the product. They could swallow the pieces and choke! Never let children use electrical devices unattended.

If the monitor stand is moved without having removed the speaker box, the stand may tip over and cause injuries and property damage. Remove the installed device before transporting the stand.



When the monitor stand is installed on soft or uneven ground, the stand may tip over and cause injuries and property damage. Install the stand only on even and solid surfaces.

In case of overload, the monitor stand may tip over and cause injuries and property damage. Never exceed the maximum load capacity specified for the stand.



For the transport and protective packaging, environmentally friendly materials have been chosen that can be supplied to normal recycling. Ensure that plastic bags, packaging, etc. are properly disposed of. Do not just dispose of these materials with your normal household waste, but make sure that they are collected for recycling. Please follow the notes and markings on the packaging.