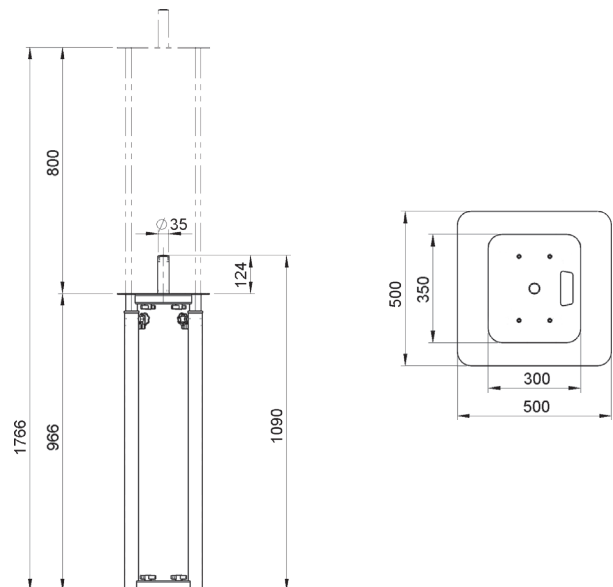


Adjustable Moving Head Tower



- Height-adjustable stand for moving heads, speakers etc.
- Height can be adjusted in 10-cm grid steps between 960 mm and 1,760 mm
- 35-mm stud (length 125 mm, with M8 thread for attachment to the carrier plate)
- Dimensions of carrier plate: 300 mm × 350 mm
- Dimensions of base plate: 500 mm × 500 mm
- Max. load capacity: 60 kg
- Colour: black
- Material: Steel
- Weight: 18 kg
- Includes white, light-permeable truss cover and transport bag



General information

This document contains important information. Read and follow the instructions. Keep the document for future reference. If you pass the product on to others, please include this document. Contents are subject to change. Please refer to the latest version of the documentation, which is ready for download under www.thomann.de.

Intended use

This speaker/lighting stand is designed for the stable attachment and height-adjustable installation of loudspeakers and spotlights. Any other use or use under other operating conditions is considered to be improper and may result in personal injury or property damage. No liability will be assumed for damage resulting from improper use. This device may be used only by persons with sufficient physical, sensory, and intellectual abilities and having corresponding knowledge and experience. Other persons may use this device only if they are supervised or instructed by a person who is responsible for their safety.



Risk of injury and choking hazard for children!

Children can suffocate on packaging material and small parts. Children can injure themselves when handling the product. Never allow children to play with the packaging material and the product. Always store packaging material out of the reach of babies and small children. Always dispose of packaging material properly when it is not in use. Never allow children to use the product without supervision. Keep small parts away from children and make sure that the product does not shed any small parts that children could play with.



Risk of injury due to tipping of the stand during loaded transport!

If the stand is moved with the devices still installed, the stand can tip over and cause injuries and property damage. Always remove the installed devices before transporting the stand.



Risk of injury due to the stand tipping over on unsuitable ground!

If the stand is installed on soft or uneven ground, the stand may tip over and cause injuries and property damage. Install the stand only on even and solid ground.



Risk of injury due to the stand tipping over from excessive loading!

In case of excessive loading, the stand can tip over and cause injury and property damage. Never exceed the specified maximum load for the stand.



Possible staining due to plasticiser in rubber feet!

The plasticiser contained in the rubber feet of this product may react with the coating of the floor and cause permanent dark stains after some time. If necessary, use a suitable mat or felt slide to prevent direct contact between the device's rubber feet and the floor.



Environmentally friendly materials have been chosen for the packaging. These materials can be sent for normal recycling. Ensure that plastic bags, packaging, etc. are disposed of in the proper manner. Do not dispose of these materials with your normal household waste, but make sure that they are collected for recycling. Please follow the instructions and markings on the packaging.



Observe the disposal note regarding documentation in France.