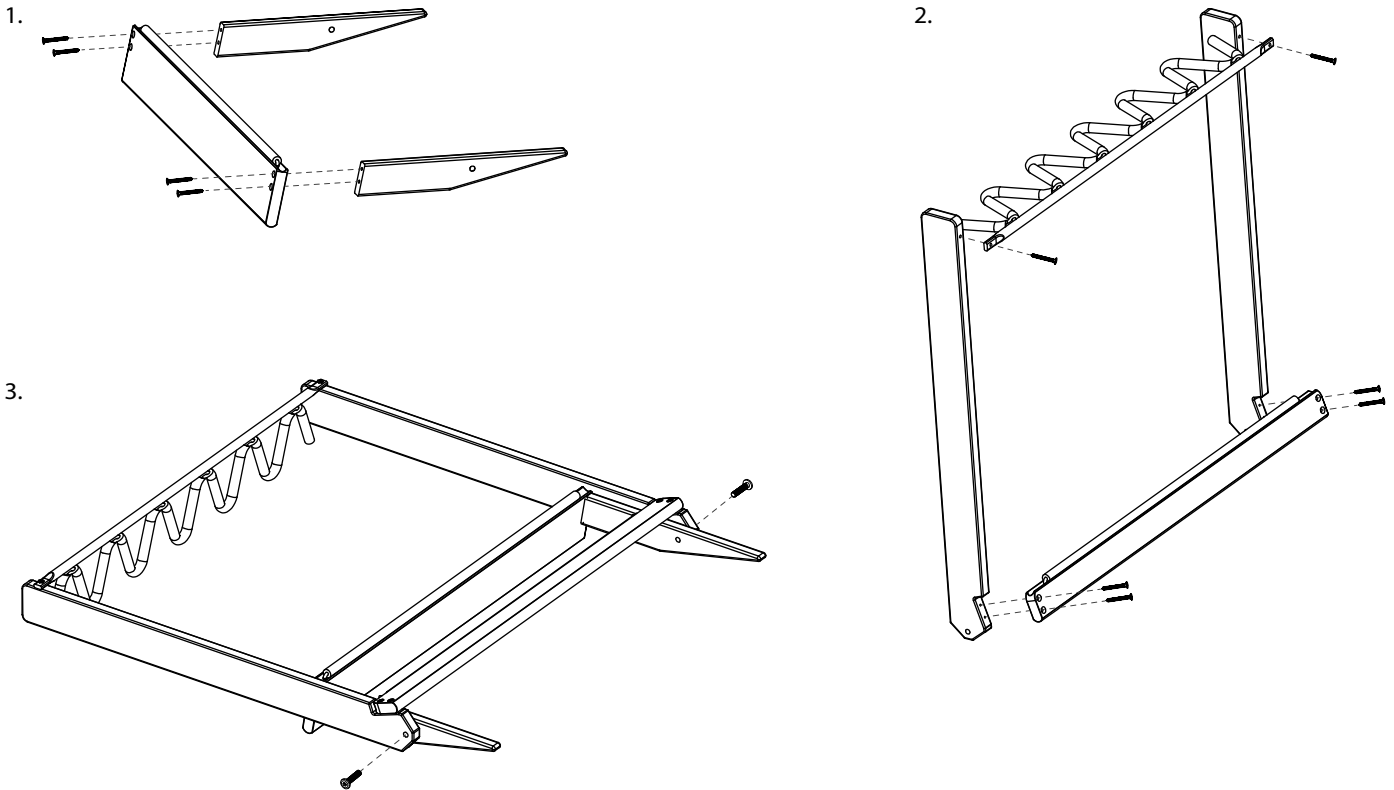


- Stable and collapsible multi-guitar stand
- Beechwood frame with smooth foampadding
- Suitable for up to 6 acoustic or electric guitars
- Ideal for use at home, in the studio or the rehearsal room
- Flat and compact folddown for easy transport and storage
- Dimensions (W × H × D), unfolded: 650 mm × 775 mm × 350 mm
- Dimensions (W × H × D), folded: 650 mm × 775 mm × 110 mm
- Weight: 3.5 kg

Not suitable for regular use with guitars with nitrocellulose lacquer!

Mounting



Intended use

This product is intended for use as holder for guitars. Any other use is considered to be improper and may result in personal injury or property damage. No liability will be assumed for damages resulting from improper use.



Danger for children

Ensure that plastic bags, packaging, etc. are disposed of properly and are not within reach of babies and young children. Choking hazard! Ensure that children do not detach any small parts from the product. They could swallow the pieces and choke! Never let children unattended play with this product.

Danger of tipping on unsuitable ground

If placed on soft or uneven ground, the product may overturn and cause injuries and property damage. Place the stand on flat and solid surfaces only.

Risk of injury to the hands

When assembling and screwing the individual parts, pay attention to sharp edges on tools, screws and components.



Danger of pinching

When assembling the stand, pay attention not to squeeze your fingers/hands.



We tested the stand with different guitars and finishes and no problems were encountered. Nevertheless, we advise caution with vintage instruments and nitrocellulose finishes. Sweat, environmental influences, nitrocellulose and age can cause chemical reactions that cannot be predicted or tested. We therefore do not accept any guarantee for damage to surfaces caused by such circumstances.



For the transport and protective packaging, environmentally friendly materials have been chosen that can be supplied to normal recycling. Ensure that plastic bags, packaging, etc. are properly disposed of. Do not just dispose of these materials with your normal household waste, but make sure that they are collected for recycling. Please follow the notes and markings on the packaging.