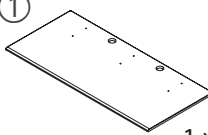
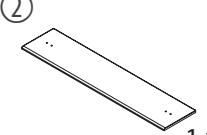
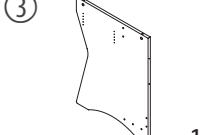
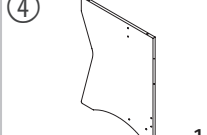
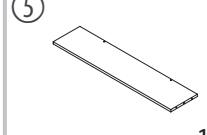
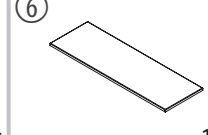
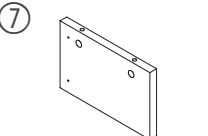
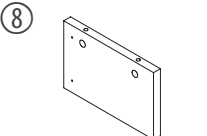
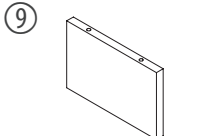
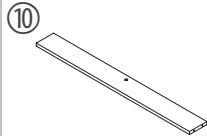
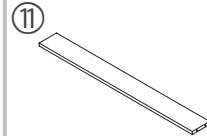
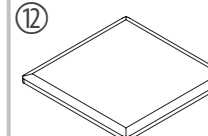
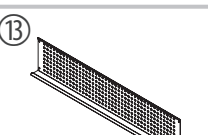
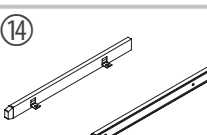
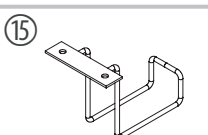
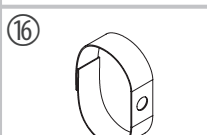
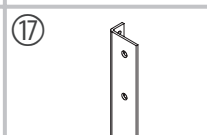
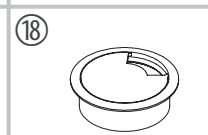
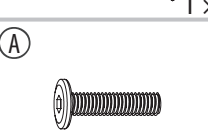
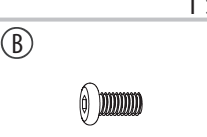
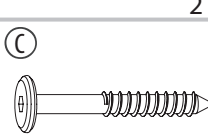
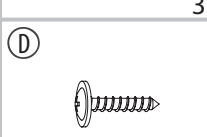
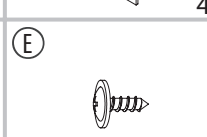
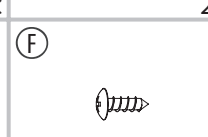

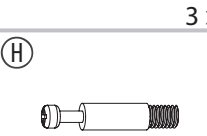

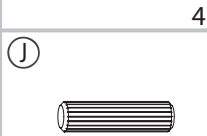

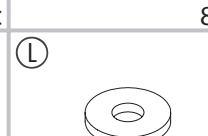
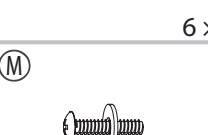
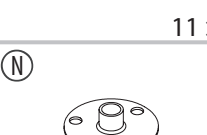
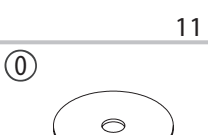
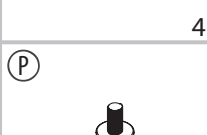
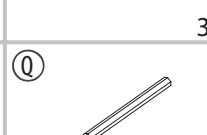
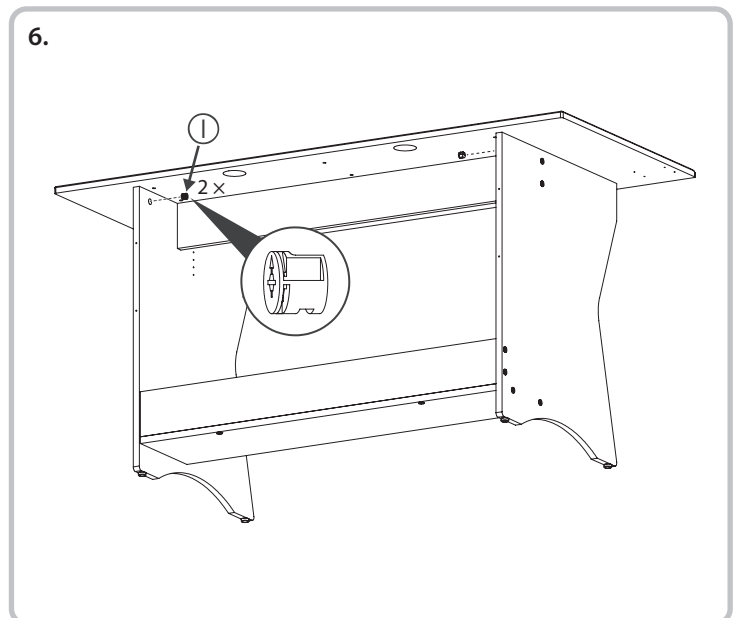
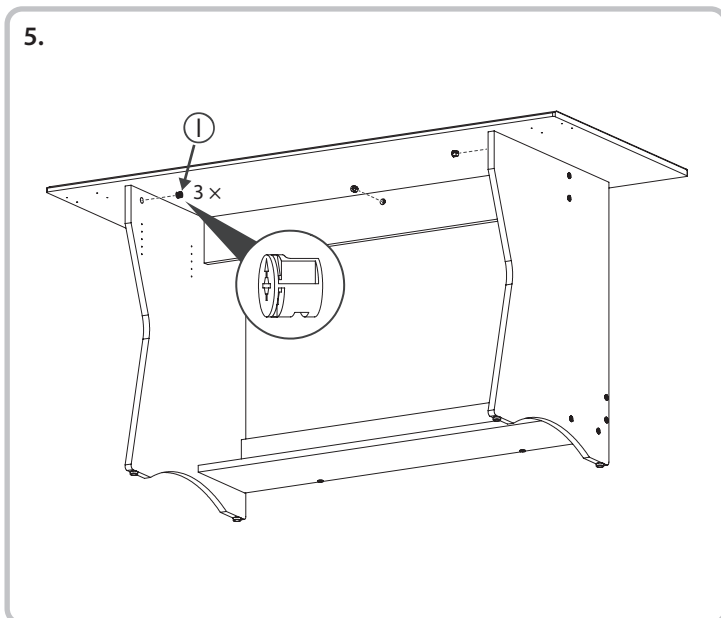
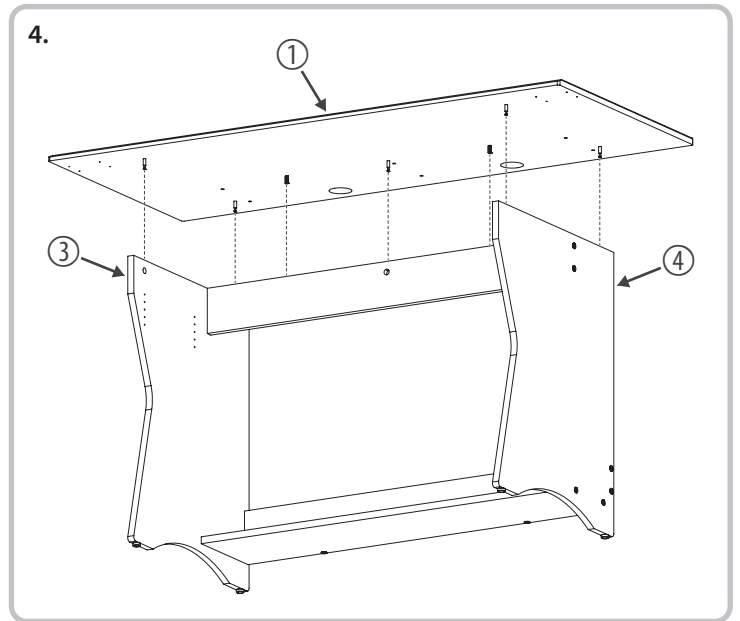
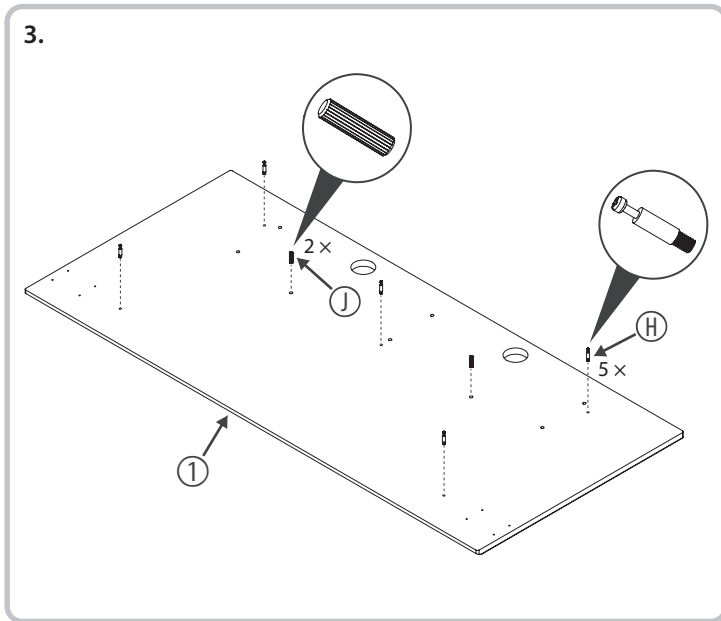
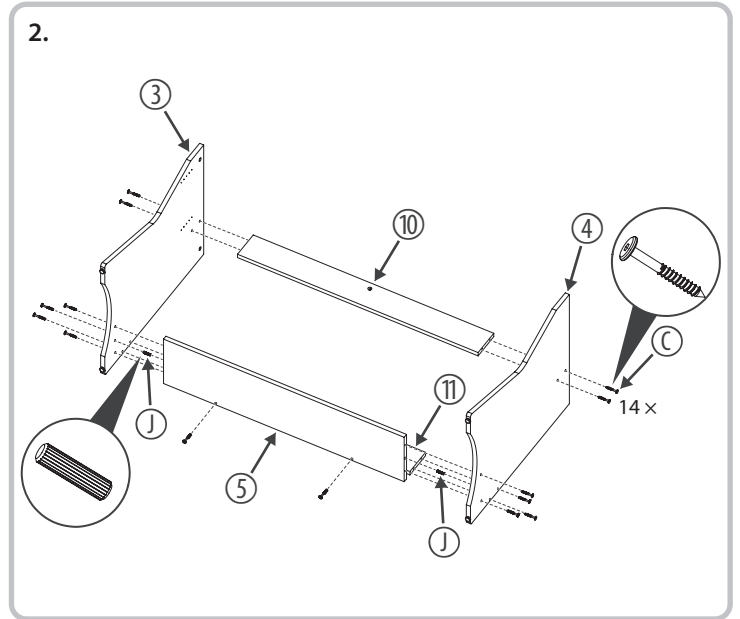
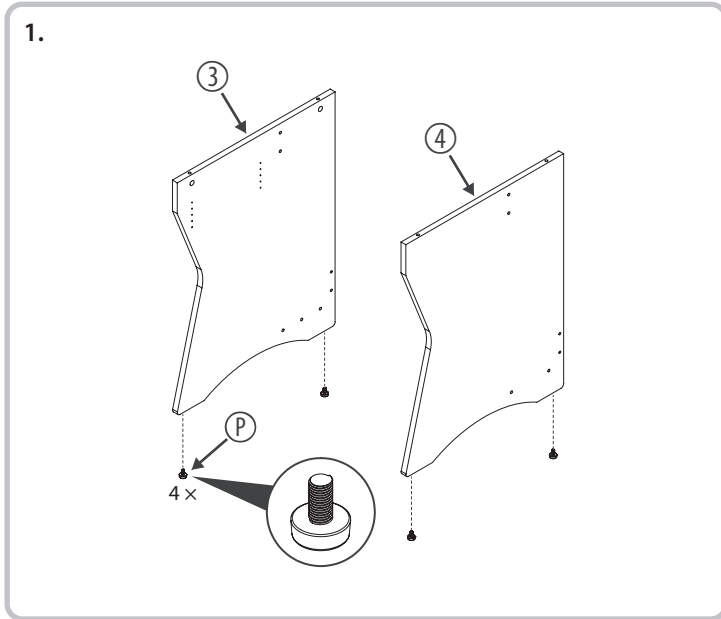


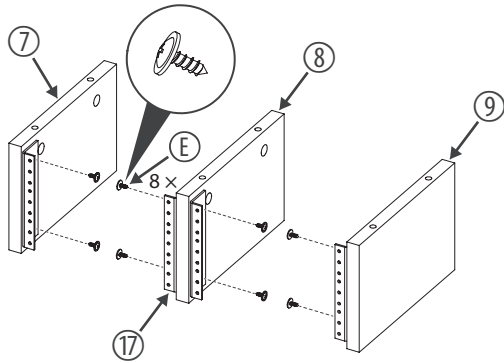
- Compact worktable for recording studios and production studios
- Integrated 19-inch racks with 2 × 3 rack units (RU)
- Rotating monitor base plates
- 2 × headphone holder
- Material: Plastic-coated MDF boards, powder-coated metal
- Colour: Black (item no. 554422), wood decor (item no. 554423)
- Total dimensions (W × H × D):
1,510 mm × 973 mm × 704 mm
- Dimensions of top shelf (W × H × D)
1,510 mm × 18 mm × 300 mm
- Dimensions of worktop (W × H × D)
1,510 mm × 25 mm × 688 mm
- Dimensions of keyboard drawer (W × H × D)
1,040 mm × 18 mm × 340 mm
- Keyboard drawer can be pulled out up to 30 cm
- Max. load capacity of worktop: 20 kg
- Max. load capacity of keyboard drawer: 15 kg
- Max. load capacity of monitor base plate: 15 kg each
- Height of worktop: 780 mm
- Weight: 47.5 kg

Scope of delivery

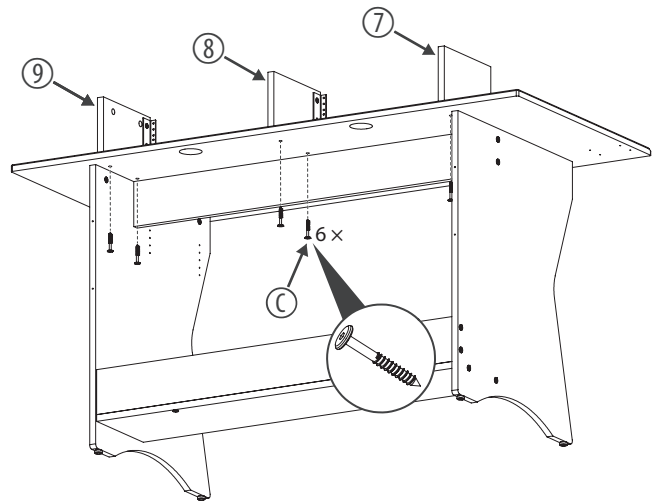
 1 ×	 1 ×	 1 ×	 1 ×	 1 ×	 1 ×
 1 ×	 1 ×	 1 ×	 1 ×	 1 ×	 2 ×
 1 ×	 1 ×	 2 ×	 3 ×	 4 ×	 2 ×
 2 ×	 3 ×	 20 ×	 4 ×	 12 ×	 8 ×
 6 ×	 11 ×	 11 ×	 4 ×	 3 ×	 6 ×
 24 ×	 2 ×	 2 ×	 4 ×	 1 ×	



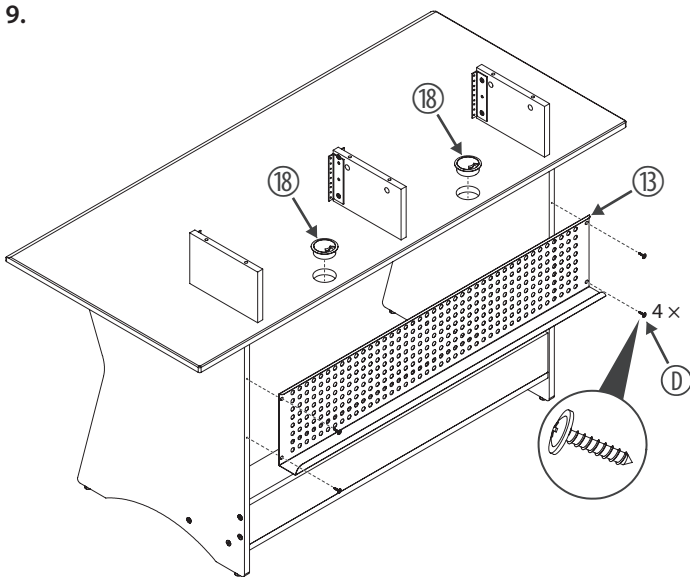
7.



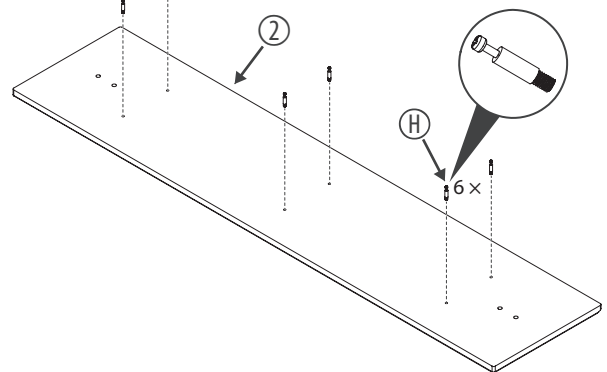
8.



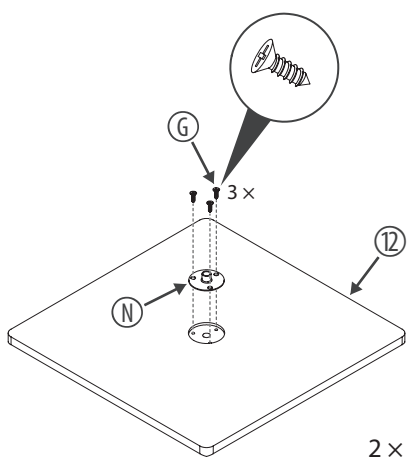
9.



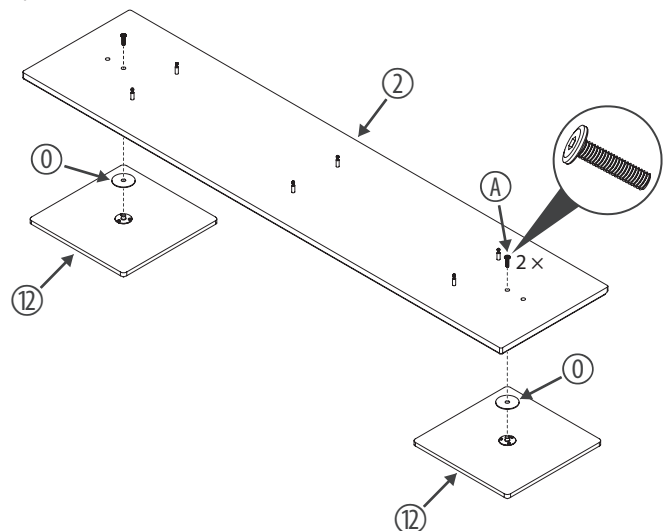
10.



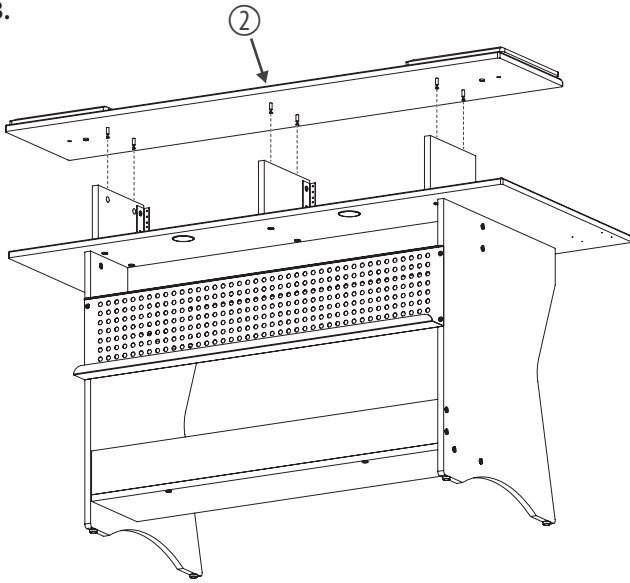
11.



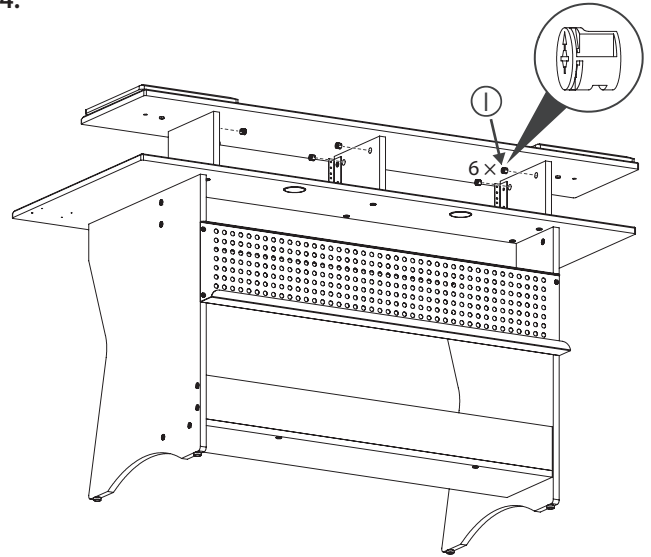
12.



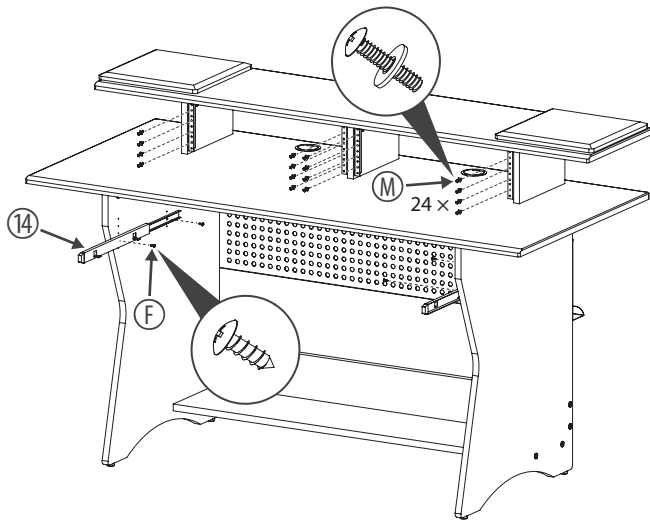
13.



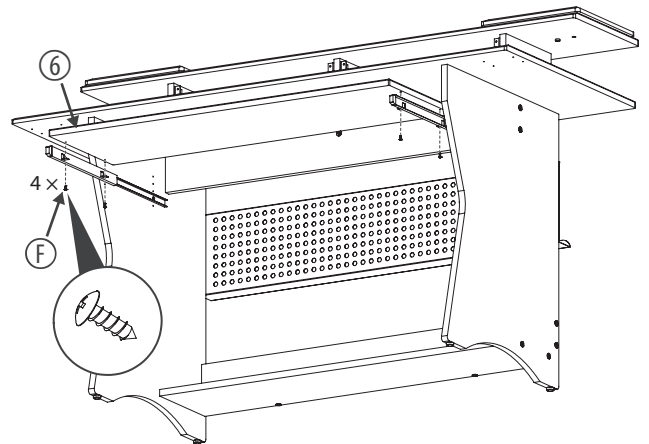
14.



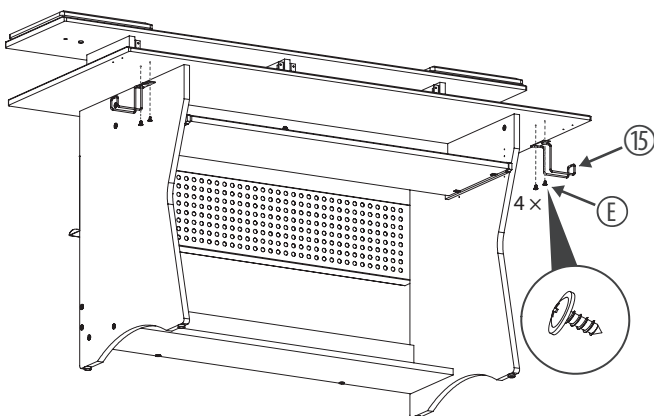
15.



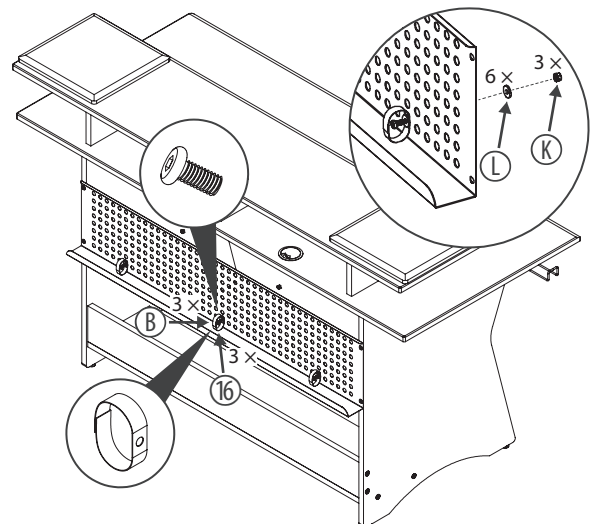
16.

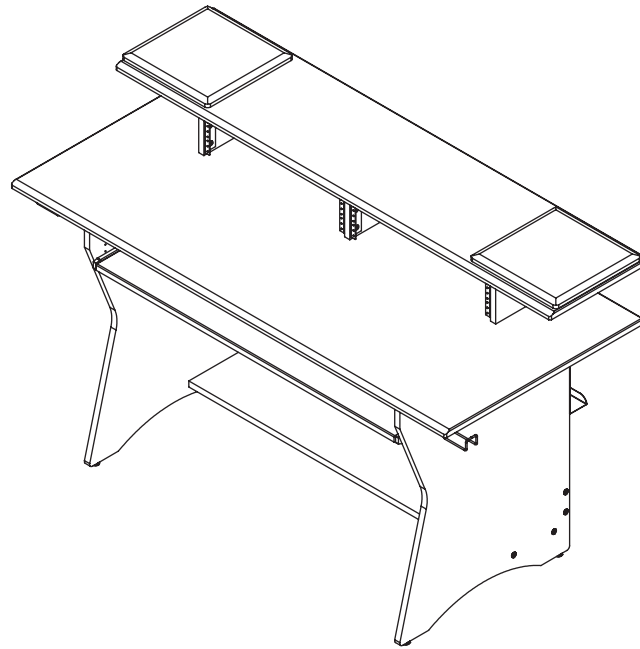


17.



18.





General information

This document contains important information. Read and follow the instructions. Keep the document for future reference. If you pass the product on to others, please include this document.

Contents are subject to change. Please refer to the latest version of the documentation, which is available for download at www.thomann.de.

Intended use

This product serves as a workstation for studio applications. Any other use or use under other operating conditions is considered to be improper and may result in personal injury or property damage. No liability will be assumed for damage resulting from improper use. This product may be used only by persons with sufficient physical, sensory, and intellectual abilities and with the relevant knowledge and experience. Other persons may use this device only if they are supervised or instructed by a person who is responsible for their safety.



Risk of injury and choking hazard for children!

Children can suffocate on packaging material and small parts. Children can injure themselves when handling the product. Never allow children to play with the packaging material and the product. Always store packaging material out of the reach of babies and small children. Always dispose of packaging material properly when it is not in use. Never allow children to use the product without supervision. Keep small parts away from children and make sure that the product does not shed any small parts that children could play with.



Risk of injury due to the heavy weight of the product!

The product is heavy. Lifting and dropping it during transport and installation can cause injuries. Make sure at least two people work together when transporting and installing the product.



Risk of cuts to the hands from sharp edges during assembly!

Tools, screws and components can have sharp edges that can cause cuts during assembly. Pay attention to sharp edges when assembling and screwing the individual parts. Wear protective gloves if necessary.



Risk of injury due to the product tipping over from excessive loading!

In case of excessive loading, the product can tip over and cause injury and property damage. Never exceed the specified maximum load for the product.



Possible staining due to plasticiser in rubber feet!

The plasticiser contained in the rubber feet of this product may react with the coating of the floor and cause permanent dark stains after some time. If necessary, use a suitable mat or felt slide to prevent direct contact between the device's rubber feet and the floor.



Environmentally friendly materials have been chosen for the packaging. These materials can be sent for normal recycling. Ensure that plastic bags, packaging, etc. are disposed of in the proper manner. Do not dispose of these materials with your normal household waste, but make sure that they are collected for recycling. Please follow the instructions and markings on the packaging.



Observe the disposal note regarding documentation in France.

