



Technische Informationen

Engineering Data Sheet

TS 400

4 x 6" / 1"
2.5-Way Fullrange Cabinet

Features:

- High power multi-functional 2.5 way cabinet
- 600 Watts / 4 Ohms
- DH-3 Titanium diaphragm driver
- Rotatable CAD optimized 90 x 40 CD horn
- 4 Neodymium DND 6130-16 woofers

	TS 400
Order No.	F01U215165
Cabinet	Full Range
Configuration	Passive 2.5-Way
Nominal impedance	4 Ohms
Rated Power RMS	600 W
Peak Power	2400 W
Sound pressure level	
SPL 1 W / 1 m	97 dB
Max. SPL 1 m (calculated with peak power)	131 dB
Frequency Range (-10 dB)	74 Hz to 20 kHz
Nominal Coverage Angle (Horizontal x Vertical)	90° x 40°
X-Over Frequency	2600 Hz
LF Transducer	4 x DND 6130-16
HF Transducer	Electro-Voice DH-3
Connectors	2 x Neutrik Speakon NL4
Dimensions (W x H x D)	199 mm x 935 mm x 281 mm
Net Weight	17 kg
Enclosure material	Aluminum
Grille	Steel, black finish
Suspension	10 x M6
Warranty	5 years
Optional Accessories	
TA-TS400 Tilt adaptor	F01U263887
MB-TS400 Mounting bracket	F01U215166
WMK-25 Wallmountkit	F01U260845
CB-TS400 Carrying bag	F01U215168
Spare Parts	
LF Transducer	F01U107488
HF Transducer	F01U103119



Wir weisen ausdrücklich darauf hin, dass bei gehängten Lautsprecherboxen die einschlägigen Sicherheitsbestimmungen zu beachten sind. Es muss unbedingt qualifizierte Fachberatung in Anspruch genommen werden!

We expressly point out that the relevant safety regulations must be observed for "flying" loudspeaker systems. It is imperative that qualified expert advice is sought.

WARNING:

THIS LOUDSPEAKER SYSTEM CAN PERMANENTLY DAMAGE HEARING! USE EXTREME CARE WHEN SETTING SOUND PRESSURE LEVELS!

DANGER:

CONSULT A CERTIFIED STRUCTURAL ENGINEER BEFORE ANY ATTEMPT TO SUSPEND THIS LOUDSPEAKER! LOUDSPEAKER CAN FALL FROM IMPROPER SUSPENSION, RESULTING IN SEVERE INJURY AND DAMAGE OF PROPERTY. DO NOT SUSPEND OR MOUNT ANY OTHER PRODUCT OR DEVICE FROM THIS LOUDSPEAKER ENCLOSURE! USE GRADE 5 HARDWARE OR BETTER ONLY!

Description

The TS 400 is a compact, powerful and versatile loudspeaker system for mobile and installation applications. It can be used full range, or in active 2-way systems for applications requiring subwoofers. DYNACORD PSD 215 or PSD 218 powered subwoofers ideally allow for such active 2-way system combinations.

Vertical pattern control is a requirement for highest sound quality and speech intelligibility, especially in difficult acoustic spaces. The TS 400 was designed to provide a very even and smooth coverage over a very wide bandwidth by using spaced and filtered woofers as array elements. The 2.5 way design places elements at the ends of the column for maximum distance to lower the effective controlled frequency. The MF-elements and the HF-element are placed in the middle of the cabinet for a smooth transition of the mids to the HF and to extend the coverage control. Each group of elements has its own bandpass filter to optimize the array's performance to provide good attenuation at 90° off-axis and evenly cover the audience area front to rear with half the rate of attenuation of a non "steered" cluster.

The TS 400 is equipped with 4 x 6.5" DND 6130-16 Neodymium woofers and one Electro-Voice DH-3 compression driver coupled with a 90° by 40° constant directivity horn providing very high SPL and excellent coverage. Power handling is 600 W RMS / 2400 W peak.

Separate protection circuits for the LF-, MF- and HF-elements are used to protect all transducers at the highest power levels. The TS 400 enclosure is aluminum for a very robust but lightweight design with a look that fits any environment.

The optional TA-TS400 tilt adaptor can be used to precisely aim the system for optimum audience coverage. The optional wall mount kit WMK-25 allows for wall-mount applications with up to 30° of tilt. The optional carrying bag CB-TS400 is the ideal accessory for easy, protected transportation of the TS 400.

Illustration 1: Dimensions

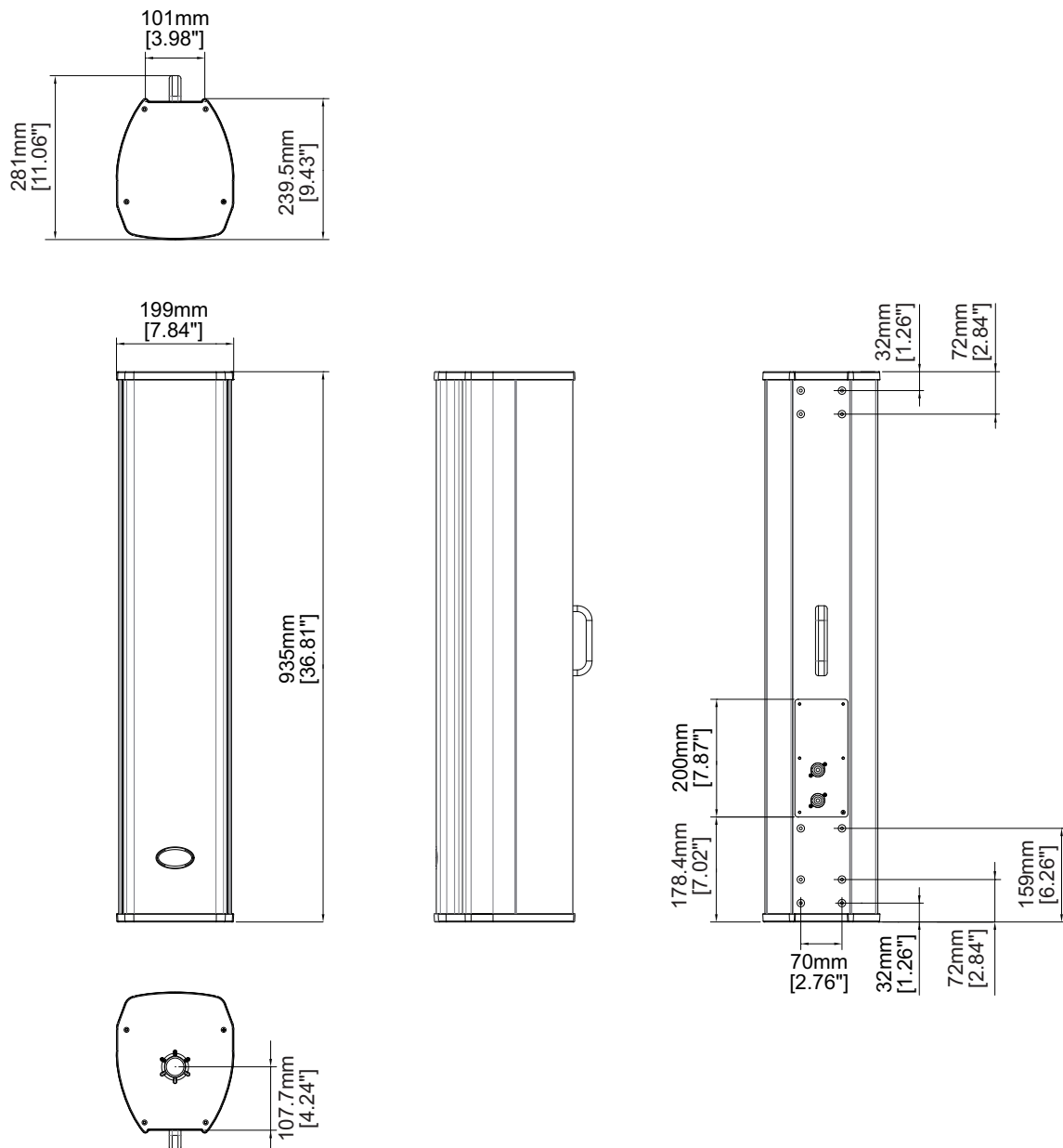


Illustration 2: Circuit diagram

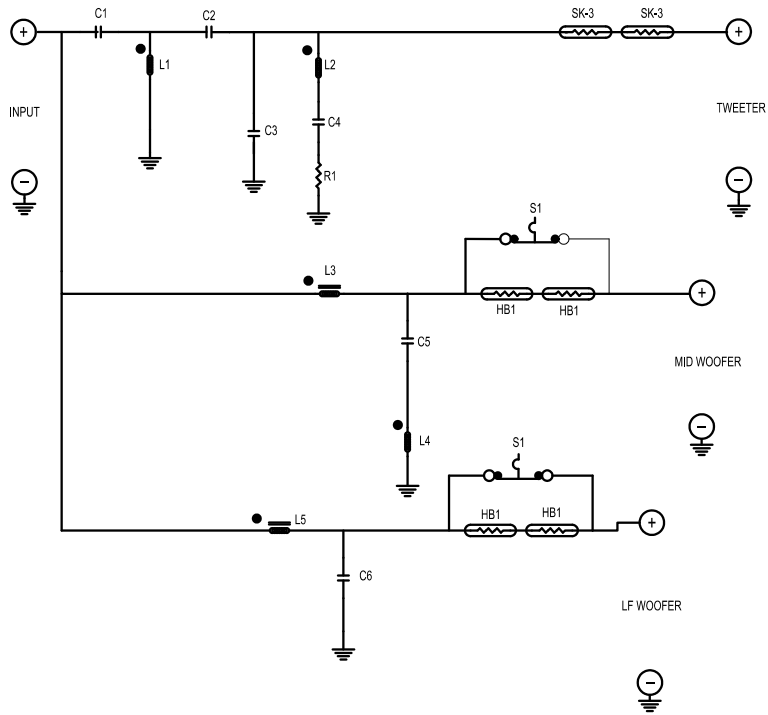


Illustration 3: Frequency Response and Impedance

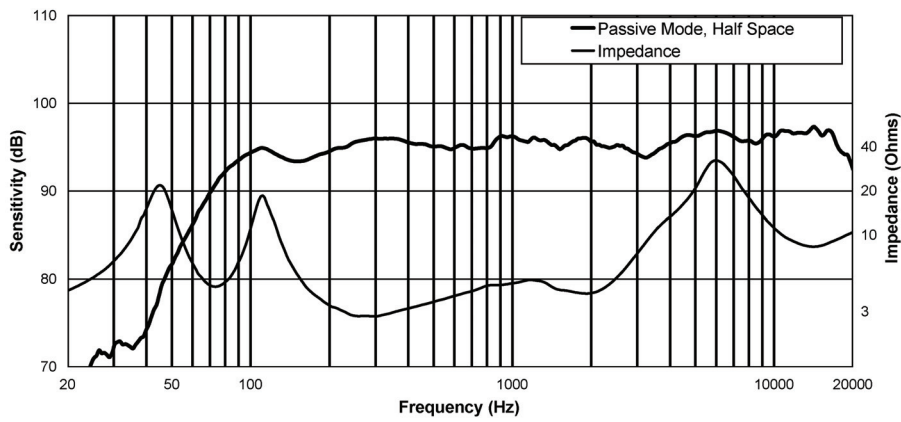


Illustration 4: -6 dB Beamwidth, 1/1 Oct.

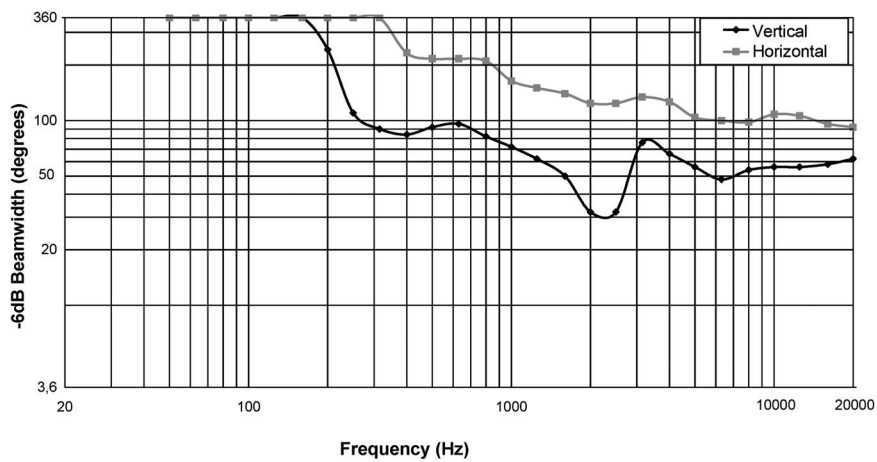


Illustration 5: Directivity Index DI, Directivity Factor Q, 1/1 Oct.

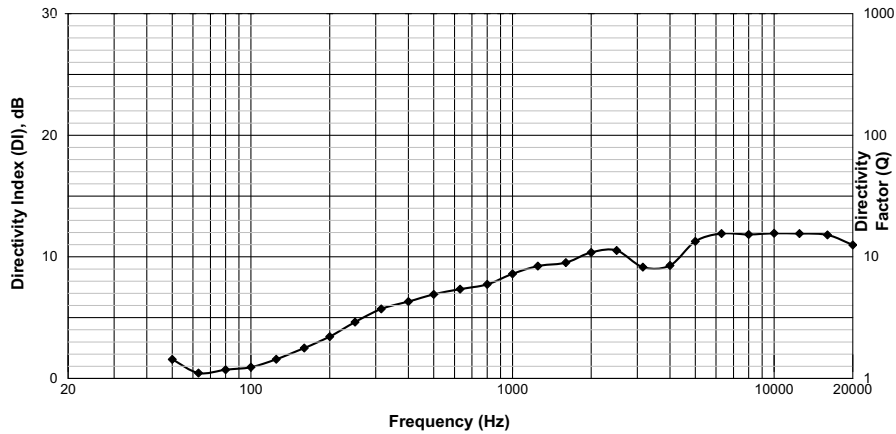
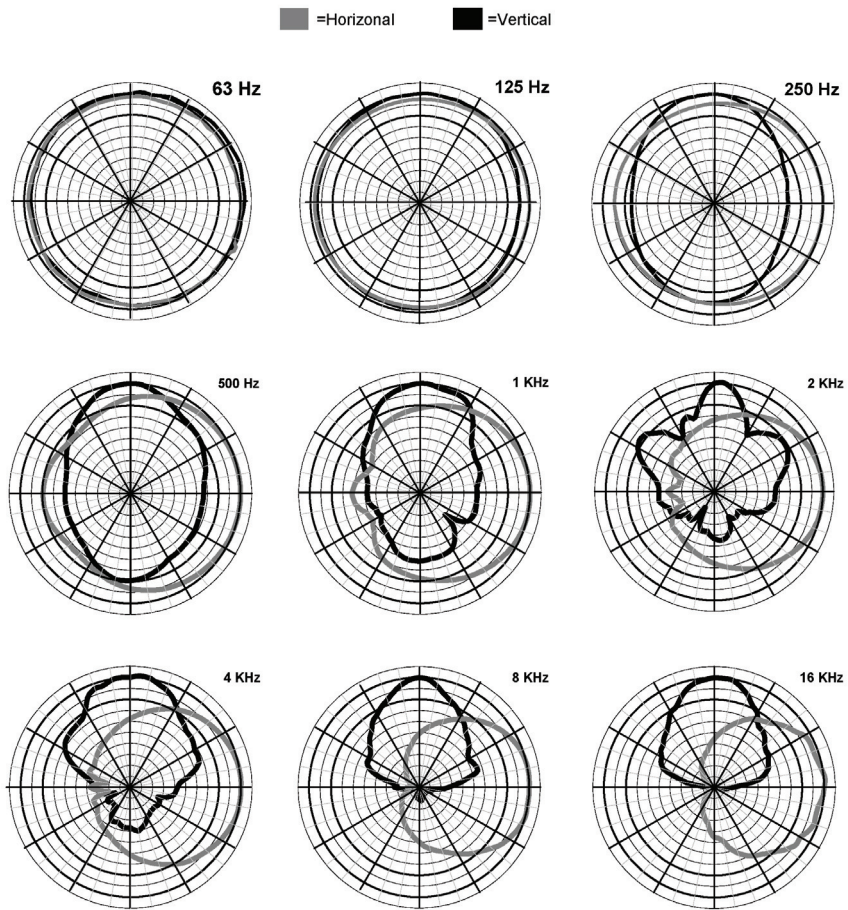


Illustration 6: Horizontal and vertical directivity, 3 dB/Div (0 dB and -6 dB bold), 1/1 Oct.



DYNACORD

12000 Portland Avenue South, Burnsville, MN 55337, USA
 Phone: +1 952/844-4051, Fax: +1 952/884-0043

www.dynacord.com

© Bosch Communications Systems 04/2012
Part Number F01U262397 Vs 02

Europe, Africa, and Middle East only. For customer orders, contact Customer Service at:
+49 9421-706 0 Fax: +49 9421-706 265

Asia & Pacific only. For customer orders, contact Customer Service at:
+65 6571 2534 Fax: +65 6571 2699

For technical assistance, contact Technical Support at: **+49 9421-706 0**

Specifications subject to change without notice.