

PRODUCT  
**SRK**

DESCRIPTION  
**EQUIPMENT RACKS**

SERIES  
**SRK**

CATEGORY  
**ACCESSORIES**



**GENERAL DESCRIPTION**

Heavy duty equipment racks in several sizes. Coolest feature: Works for both U.S. and E.U. rack screws.

**FEATURES**

- > 19-inch equipment racks
- > 8, 12, 16 and 21 rack space versions
- > Heavy-duty steel construction with fully enclosed sides
- > 3-inch (75mm) locking casters
- > Single space blank panel included
- > U.S. and European rack screws included

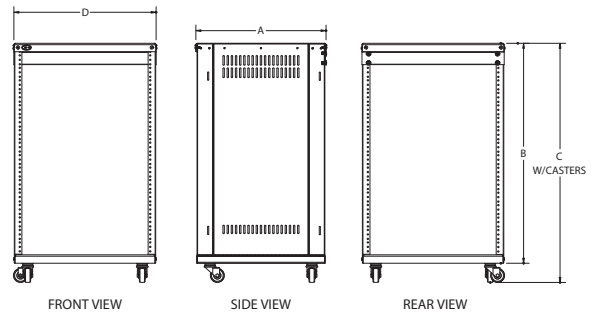
**ARCHITECT'S & ENGINEER'S SPECIFICATIONS**

The Samson SRK racks shall be 19 inch standard equipment racks. They shall be available in 8 space, 12 space, 16 space, and 21 space configurations. They shall be of sturdy steel construction. They shall have heavy-duty 3 inch casters. The front casters shall be of the locking type. They shall come with a blank 1 space rack panel. They shall accommodate both European standard and US standard rack screws. European and US standard rack screws shall be included.

**SPECIFICATIONS**

- SRK8**  
Type ..... 8 space,  
19" equipment rack
- SRK12**  
Type ..... 12 space,  
19" equipment rack
- SRK16**  
Type ..... 16 space,  
19" equipment rack
- SRK21**  
Type ..... 21 space,  
19" equipment rack

**Dimensions:**



| MODEL  | DEPTH  | RACKING HEIGHT | W/CASTERS HEIGHT | WIDTH  |
|--------|--------|----------------|------------------|--------|
|        | "A"    | "B"            | "C"              | "D"    |
| SRK 8  | 18.11" | 16.54"         | 20.47"           | 19.96" |
| SRK 12 | 18.11" | 23.62"         | 27.55"           | 19.96" |
| SRK 16 | 18.11" | 30.70"         | 34.65"           | 19.96" |
| SRK 21 | 18.11" | 39.37"         | 43.31"           | 19.96" |

(All) Heavy duty steel construction, fully enclosed sides, 3-inch (75mm) locking castors, US and European threads and rack screws, single space blank panel included