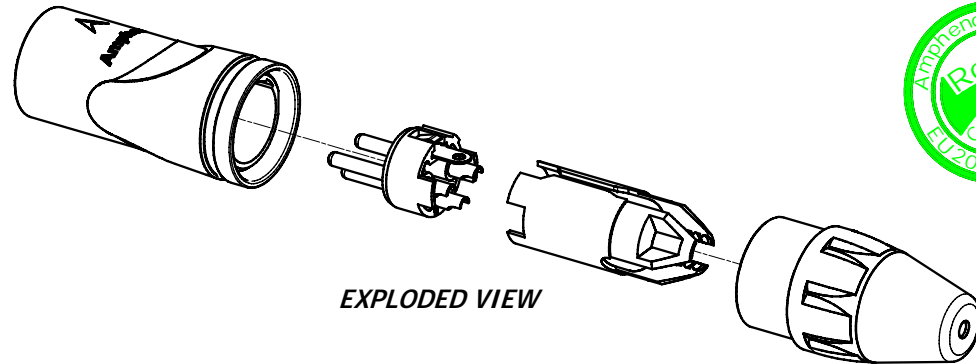
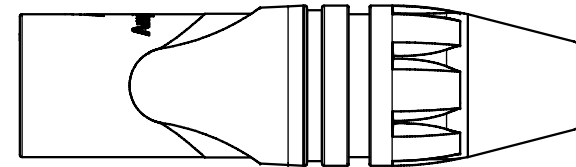
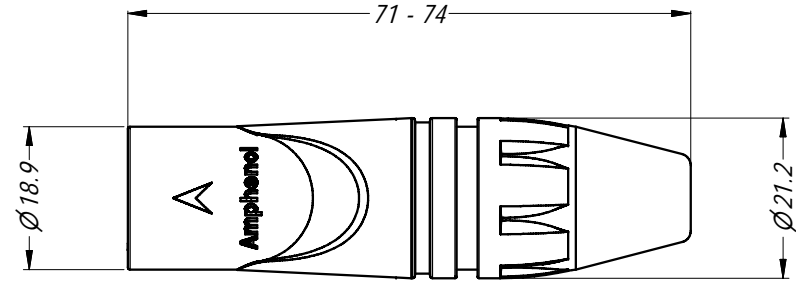
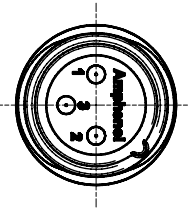


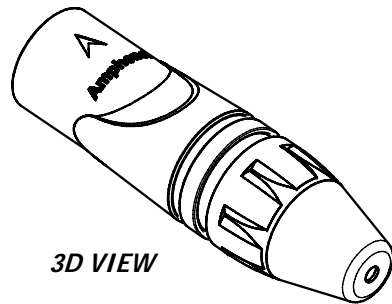
PART NUMBER BREAKDOWN

AX3MB1-AU BULK

SERIES PREFIX AX3M = 3 PIN MALE
SHELL FINISH BLANK = NICKEL PLATED B = BLACK
SLEEVE COLOR BLANK = BLACK 1 = BROWN 2 = RED 3 = ORANGE 4 = YELLOW 5 = GREEN 6 = BLUE 7 = VIOLET 8 = GREY 9 = WHITE C = CLEAR
CONTACT PLATING BLANK = SILVER PLATED AU = GOLD PLATED
PACKAGING BLANK = INDIVIDUAL BAGS BULK = BULK PACKED



EXPLODED VIEW



3D VIEW

UNLESS OTHERWISE SPECIFIED TOLERANCE TO BE		THIS DOCUMENT IS THE PROPERTY OF AMPHENOL AUSTRALIA PTY. LTD. NO PART THEREOF MAY BE REPRODUCED AND USED WITHOUT THE PRIOR WRITTEN CONSENT OF THE OWNER				Amphenol Amphenol Australia Pty.Ltd, 2 Fiveways Blvd, Keysborough, VIC 3173	
LINEAR	ANGULAR	MATERIAL: SEE COMPONENTS		DRN: T.N	DATE: 24/06/08	PART No: SEE P/No BREAKDOWN	
X ± 0.5	X° ± 1	DO NOT SCALE		CKD: P.M	DATE: 22/12/08	DRAWING NO. SHEET	
X.X ± 0.1	X.X° ± 30°	FINISH:		APP'D: P.M	DATE: 22/12/08	55010534-000-2 2/2	
X.XX ± 0.05	X.XX° ± 15°	DIMENSIONS IN MILIMETRES		SCALE: 1:1	SIZE: A4	CAD FILE: 55010534000210	
BREAK ALL SHARP EDGES AND REMOVE ALL BURRS		THIRD ANGLE PROJECTION					