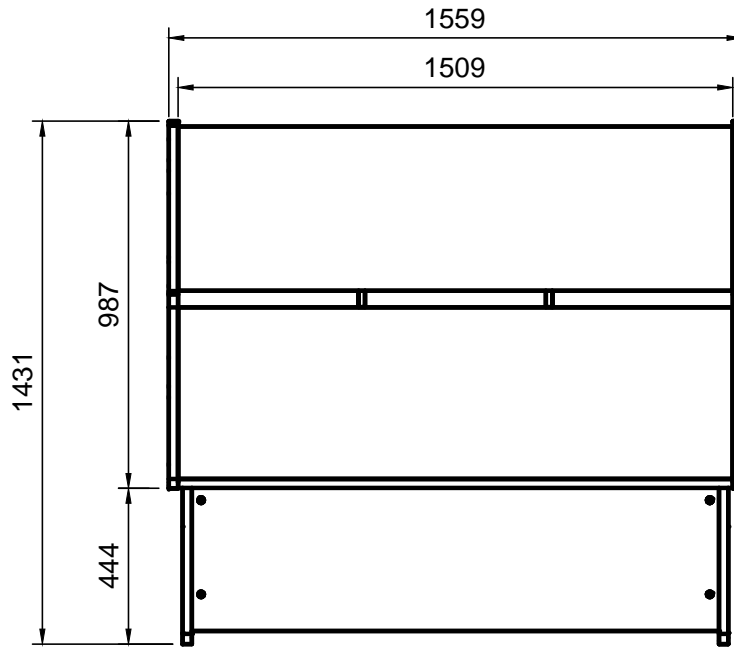
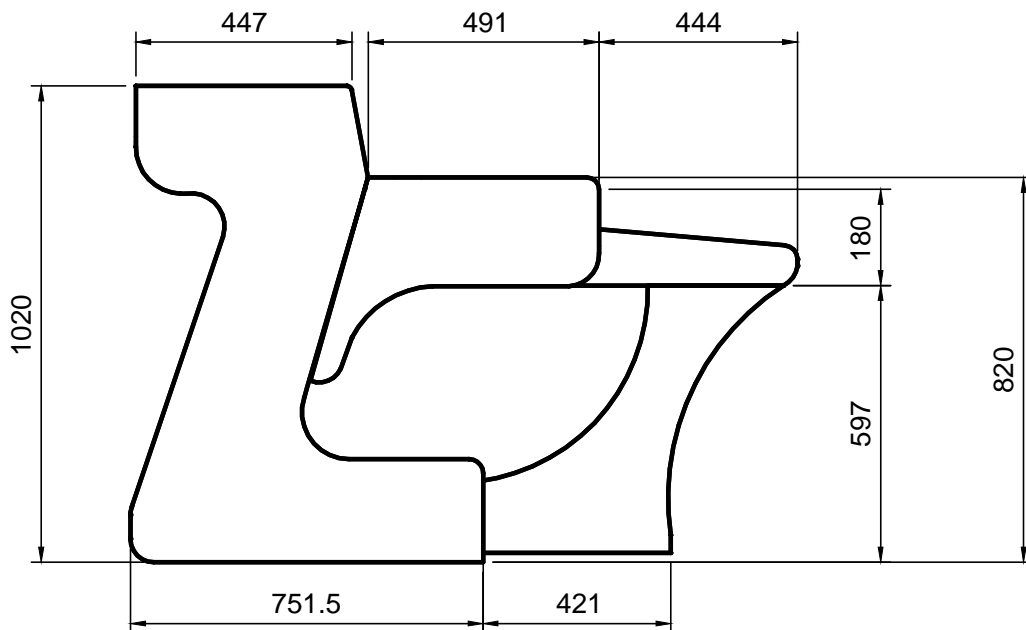


Technical Plan (in mm)

TOP VIEW

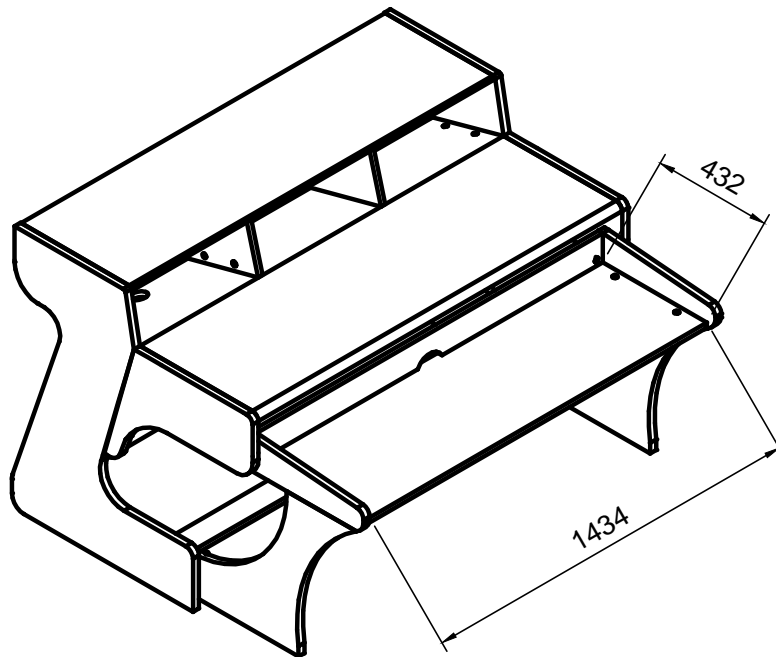


SIDE VIEW



Technical Plan

DIAGONAL VIEW



FRONT VIEW

