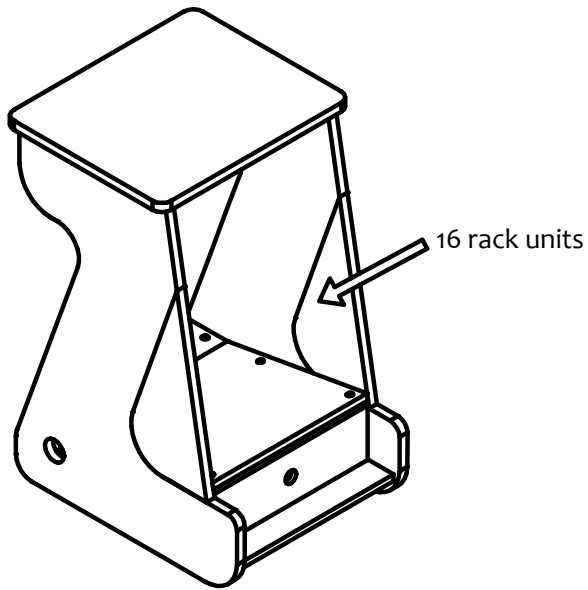
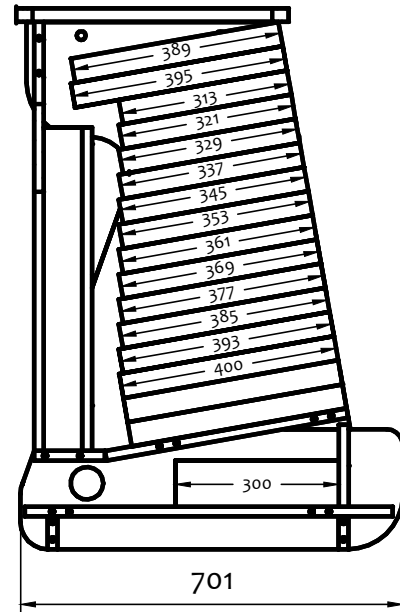


### Technical Plan (in mm)

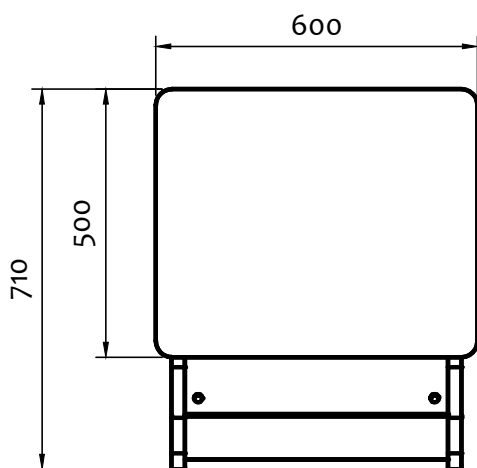
DIAGONAL VIEW



SIDE VIEW



TOP VIEW



FRONTAL VIEW

