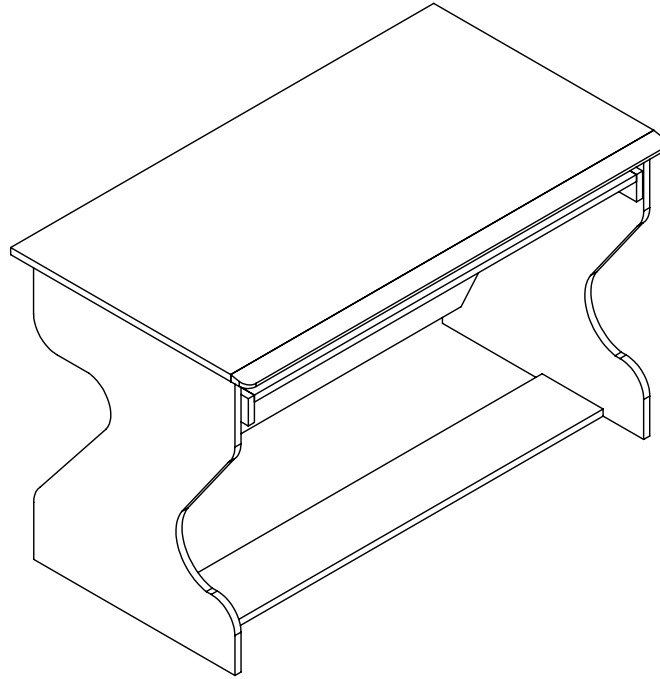
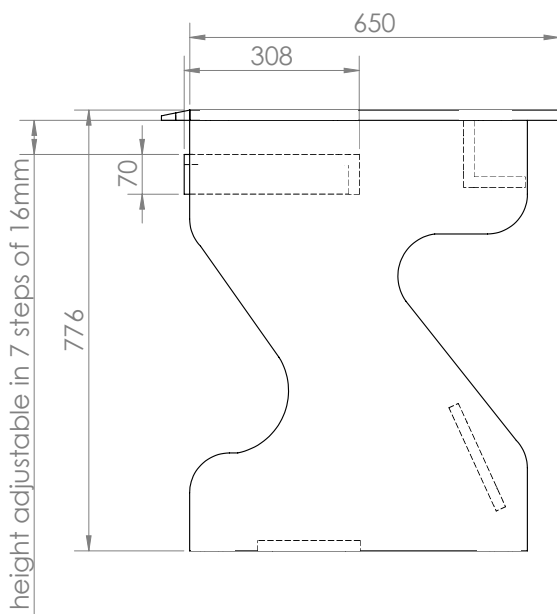


Technical Plan

DIAGONAL VIEW



SIDE VIEW



FRONT VIEW

