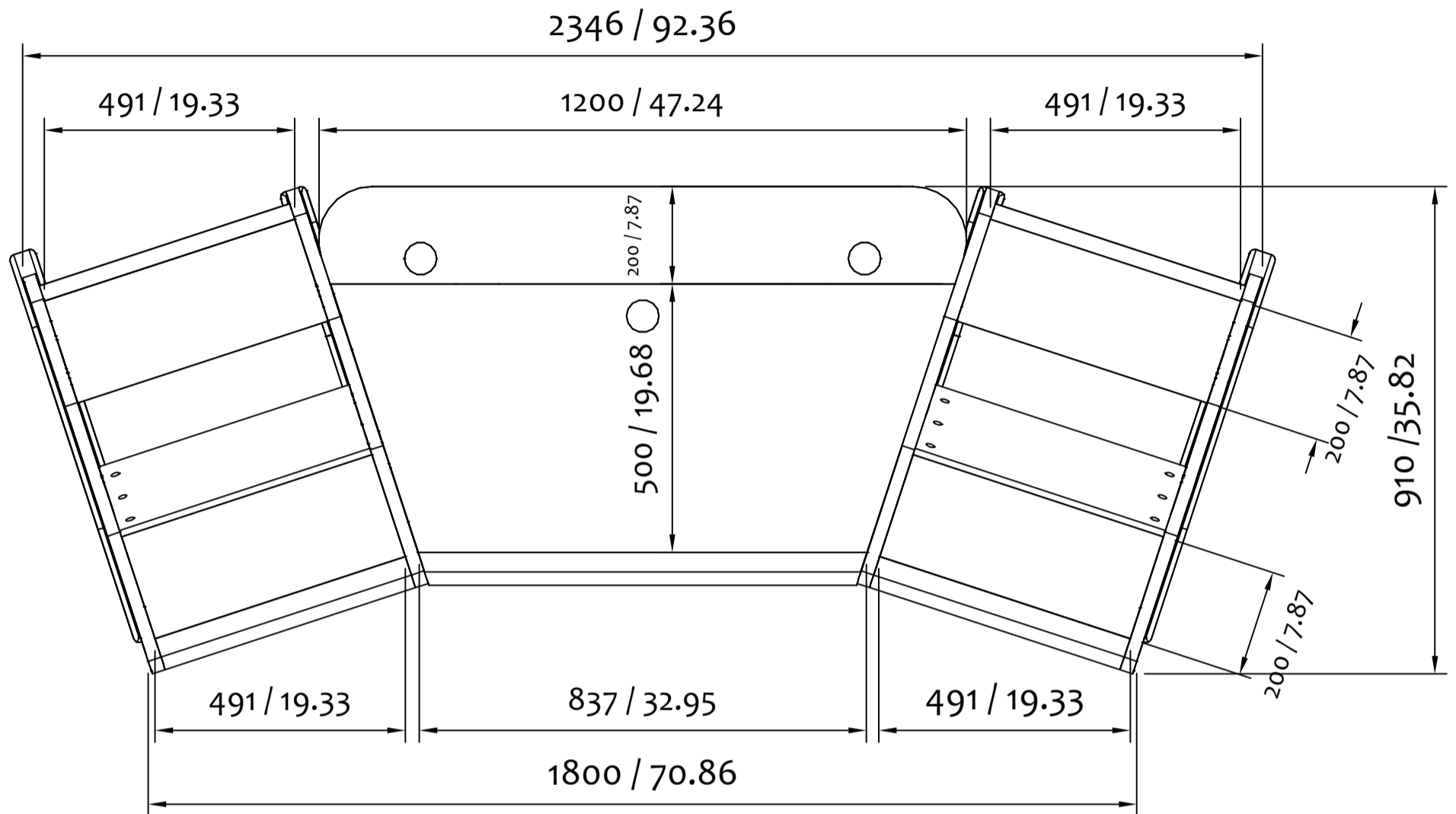
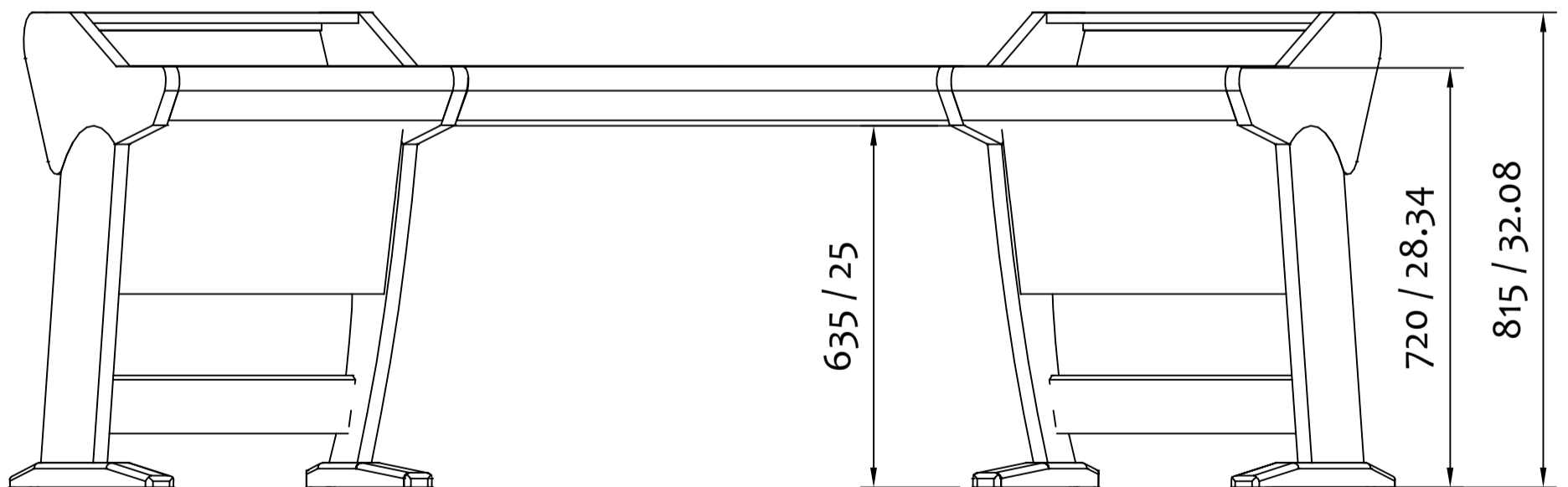


Technical Plan (in mm/inch)

TOP VIEW

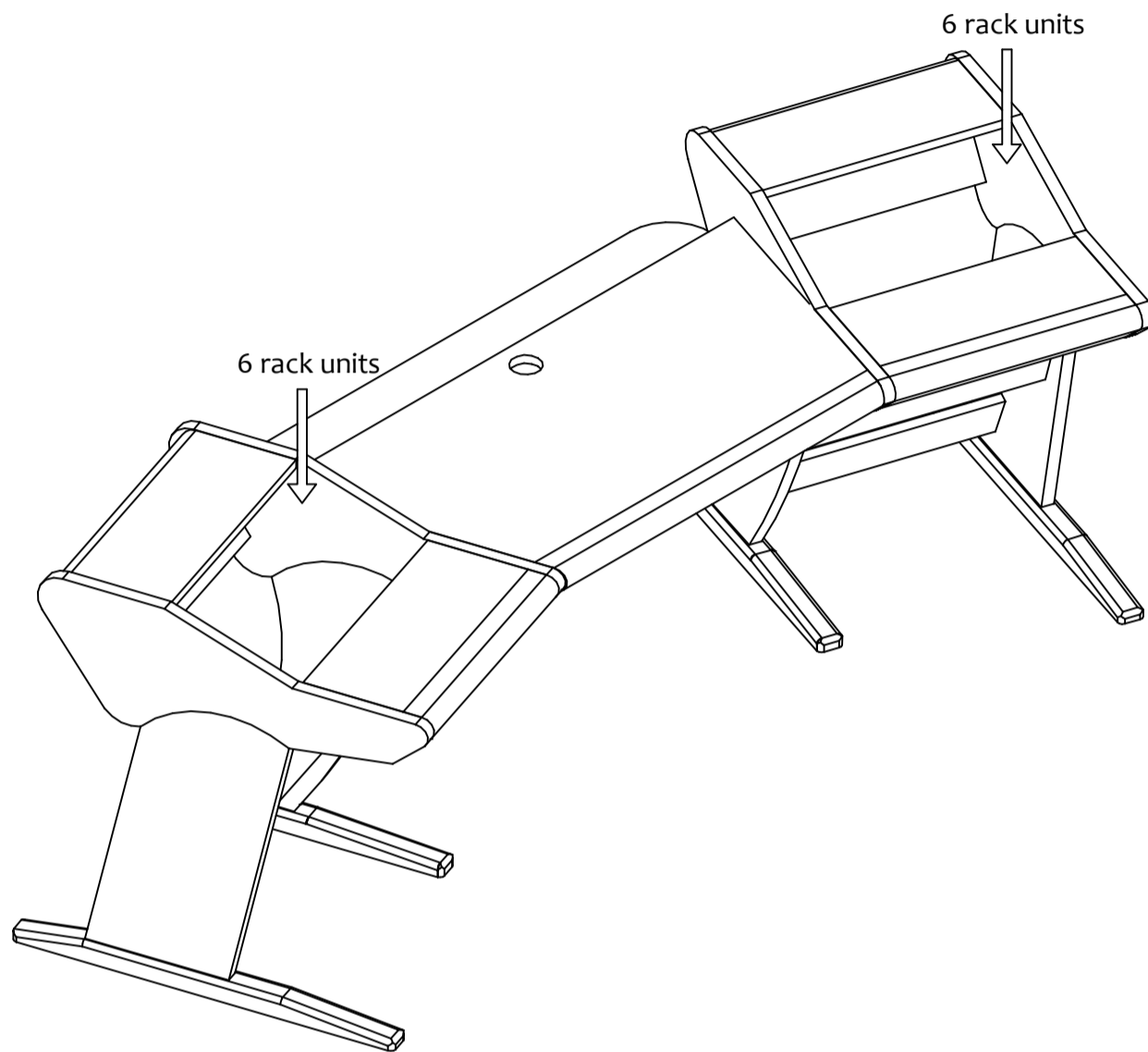


FRONTAL VIEW



Technical Plan

DIAGONAL VIEW



BACK VIEW

